

megaSun[®]

by KBL



megaSun[®] 5600

Operating Instructions

Copyright and Trademark

© Copyright 2009 KBL-Solarien AG

This documentation only covers products manufactured by KBL-Solarien AG. It must not be duplicated, photocopied, translated or stored without prior specific permission by KBL-Solarien AG. Duplication on electronic media or in machine-readable form, either in whole or in part, is also prohibited.

For instruction updates, please refer to <http://www.kbl-support.de>.

megaSun[®] is a registered trademark of KBL-Solarien AG.

Version: BA_5600_GB_H

Date: 03/2009

Item no: 0100036056

Certified according to EN ISO 14001:2004 / DIN EN ISO 14001:2005

KBL-Solarien AG

Ringstrasse 24-26 · 56307 Dernbach · Germany

Telephone +49(0)2689.9426-0 · Fax +49(0)2689.9426-66

Email: megaSun@kbl.de ·

www.megaSun.de

Contents

About these instructions.....	4	Setting date and time	31
Safety notes	5	Entering PIN II	31
Intended use.....	5	Setting aquaCool characteristics	31
Duties of the operator	5	Setting Aroma characteristics	32
Timer operation	5	Setting the audio music system	33
General safety advice.....	5	Functions C'M'A'B'	35
Tanning times	5	Air-conditioning functions	35
Transport	6	Setting the operating hours of the tubes	35
Transport by forklift truck	6	Download information	36
Other modes of transport.....	6	Settings aquaCool (on/off)	36
Description of the unit	7	Aroma/Aqua test	36
Standards	7	Querying software info	36
Components.....	7	Setting the easyCare unit	36
Connections.....	8	Entering PIN III	37
Connecting the mains voltage.....	8	Maintenance and cleaning	38
Connecting an external audio source	8	Instructions for cleaning and care.....	38
Level adjustment	8	Maintenance intervals	39
Operation using different audio sources	9	Acrylic panes.....	39
Connecting the external timer.....	10	Filter panes.....	41
Connecting the chan. selection.....	10	Tubes, facial and shoulder tanners.....	42
aquaCool and Aroma connections.....	11	P2 tubes	42
Start-up	12	Replacing the sunlamps of the shoulder tanner....	43
Operating modes.....	12	Dismantling the tanning lamps.....	45
Tanning instructions.....	13	Unit lighting	46
Instructions for the user	13	Filter pads.....	47
Tanning times	14	Canopy drive	47
Operation in tanning mode.....	17	Cooling and exhaust air	48
Assuming the tanning position and starting / stop-		Air-conditioning unit	49
ping the tanning session	18	Condensate pump.....	49
Functions (KBL/4).....	18	Audio system with mp3 sound box.....	50
Functions (KBL/5).....	21	Recording to an SD card	51
Information for the studio operator	23	Refilling Aroma and aquaCool.....	51
Standby/service mode	24	Error messages	53
Turning the decorative lighting on and off.....	24	Service	54
Service menu.....	24	Technical data.....	55
Overview: KBL5 service menu	25	Views	58
Overview: KBL4 service menu	26		
Information about operation	30		
Displaying the operating hours of the solarium	30		
Displaying the operating hours of the tubes	30		
Resetting the operating hours of the tubes.....	30		
Setting the timer function of the deco lighting	30		

About these instructions

This operating manual is intended for use by

- operating staff,
- users,
- service staff.

Any person dealing with this tanning unit must have read and understood these instructions.

This manual describes units equipped with the maximum number of features.

Keep this manual ready to hand at all times.

Safety notes

This chapter provides a summary of general information on safety and proper handling of the device. More specific safety advice is given in other chapters of the operating manual.

Intended use

The unit is intended to be used for the tanning of one single person at a time. This person must not fall in one of the categories mentioned below, otherwise using the tanning equipment is prohibited for him or her.

The following individuals must not use the tanning system:

- Persons under 18 years of age
- Persons with heart pacemakers
- Persons prone to sunburn, without the desired tanning effects, when exposed to the sun (skin type I)
- Persons already suffering from sunburn
- Persons suffering, or having suffered, from skin cancer, or persons with a corresponding predisposition
- Persons taking medicines

Furthermore, this tanning unit has been designed for use by individuals who are in full command of their physical, sensorial and mental faculties. Moreover, sufficient knowledge and experience are required.

Children should be supervised to make sure that they do not use the unit as a toy.

Duties of the operator

KBL-Solarien AG cannot be held liable for any damage resulting from improper use of the equipment or non-observance of these operating instructions. Only original spare parts, particularly tubes and sunlamps, must be used. Otherwise, both operating authorisation as well as warranty will become void.

Timer operation

The tanning unit must be controlled via an external timer. Should the external timer fail, an internal safety timer will switch off the system automatically after 30 minutes.

General safety advice

- Follow all instructions given in this manual. In addition, observe all relevant statutory provisions and regulations, also those applicable in the country of operation.
- The unit must only be installed and assembled by specifically trained staff.
- Arbitrary modifications or conversions of the equipment are not permissible.
- Observe all danger signs and safety notices attached to the equipment.
- Safety notices must not be removed, and safety equipment must not be disabled or removed.
- The unit must only be operated when in perfect working condition.
- Never operate the unit with the outer covers or acrylic panes removed.
- The tanning system must be controlled via a timer that complies with the generally applicable standards.
- Absolutely observe the maintenance frequencies indicated in the maintenance plan.

Tanning times

Adhering to tanning times and schedules is essential.

Transport



Transport by forklift truck

The device is mounted on a pallet.

- Insert the forks carefully into the openings of the pallet.
- Lift the load by a few centimetres.
- Transport the load carefully to the place of installation.

Other modes of transport

If a forklift truck cannot be used for transport, the box must be unpacked and the parts inside must be transported individually to the place of installation, e.g. using a dolly. Depending on the weight of the components, lifting them might require several people.

	 WARNING!
	<p>Overturning load!</p> <p>Danger of being crushed by heavy parts of the equipment.</p> <ul style="list-style-type: none"> • Wear safety shoes.

Description of the unit

Standards

This tanning system complies with the following standards in their respectively applicable version:

- EN 60335-2-27
- Low Voltage Directive 2006/95/EC
- EMV 2004/108/EC

An EC Declaration of Conformity can be requested from the manufacturer.

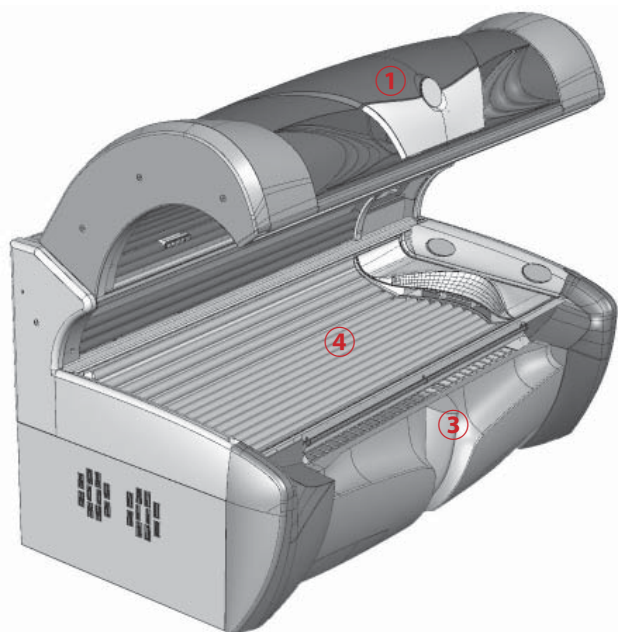
Components

The tanning unit basically consists of the following components:

- The canopy including 18 tubes, ambient air supply, facial tanners and two P2 tubes
- The side part including 6 tubes
- The base part including 18 tubes, the electronics unit and further, optionally available components

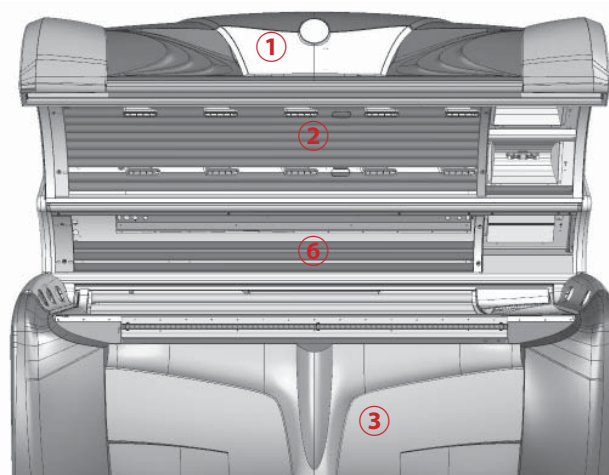
megaSun 5600, canopy opened

Figure 7.1



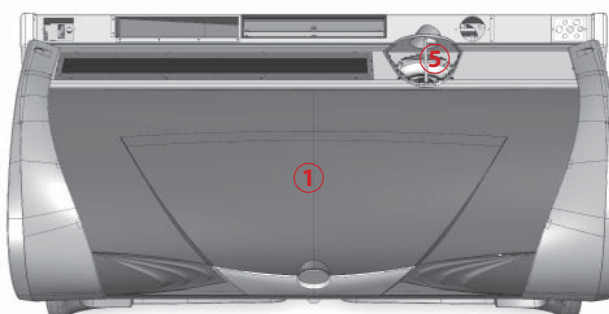
Front view, canopy opened

Figure 7.2



Top view, canopy opened

Figure 7.3



1	Canopy
2	Canopy pane
3	Base section
4	Bed pane
5	Air supply connector in the canopy
6	Side pane

Connections

Connecting the mains voltage

⚠ DANGER

Live parts

Risk of fatal injury due to electric shock when touching live parts.

- **Switch off mains voltage.**
- **Protect against re-connection.**

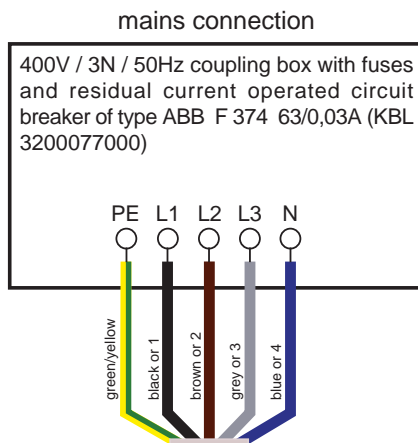
Both the power supply and the related connection work must comply with national standards, e.g. those set up by VDE in Germany. The connection work must only be performed by qualified expert staff.

The connection to the 400 V mains must be protected by fuses. Their specifications are listed in the chapter “Technical data”.

A residual current-operated circuit breaker (RCD) is absolutely required. KBL-Solarien AG recommends the following type: KBL 3200 0770 00 (type ABB F 374 63/0.03A)

Should the operation of the tanning unit cause any interference in the power supply network, e.g. with ripple-control systems (TRA), consult your power supply company to have corresponding blocking elements (audio frequency suppressors) installed.

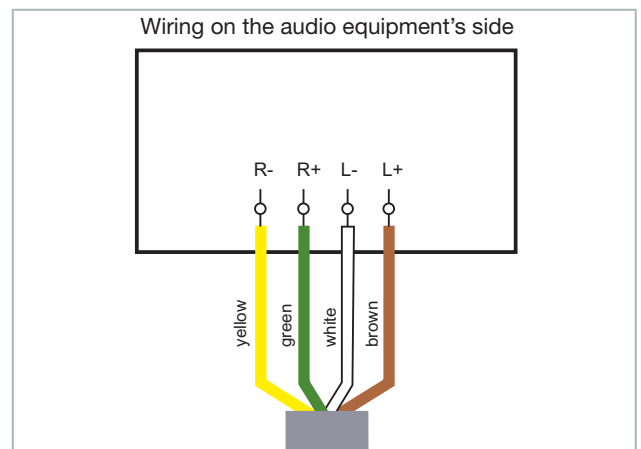
Figure 8.1



Connecting an external audio source

When connecting an external audio source, pay attention to the correct polarity.

Figure 8.2



Level adjustment

The voice/audio system components are built into the base part (in the head area) of the tanning unit. The total level adjustment is carried out via a potentiometer (see arrow) that is located on the audio switch circuit board.

Figure 8.3



Operation using different audio sources

The tanning unit can be operated using the following audio sources:

- An internal MP3 player alone
- An external audio source alone
- Both audio sources

Use the control panel to alternate between internal and external audio source.

INTERNAL MP3 PLAYER

When using the internal MP3 player, you can either play the music tracks that are originally supplied on the SD card, or you can record your own tracks on the SD card.

EXTERNAL AUDIO SOURCES

As an external audio source, you can connect devices ranging from the standard-line level to low loudspeaker levels.

These sources comprise:

- the studio music, and
- external players such as MP3 players, mobile phones (cell phones), iPods, etc.

EXTERNAL AUDIO SIGNAL 100 V (OPTIONAL FEATURE)

A transformer (KBL item no.: 9100 0170 00) is required for the transmission of the audio signal if a 100 V audio system is connected.

The connection must be carried out by trained service staff.

Studio music

The level of the studio music can be adjusted by means of a potentiometer on the line box. The box is located below the bed, on the right-hand front side

(figure 9.1)

It is only fixed by Velcro tape and can be removed.

Figure 9.1



The potentiometer is located on the rear side of the box (figure 9.2). This is where you can adjust the studio music to the level of the integrated MP3 player.

Figure 9.2



External players

A line-in connector is available in the head area of the bed, on the right-hand side, so that the studio client can plug in his/her own equipment, e. g. MP3 player, iPod, etc. (figure 10.1). Use a standard 3.5 mm jack cable (included if the music option has been ordered). If an external player is plugged into this connector, the system switches over automatically and plays the music of the personal player. This assumes that you have selected the “Studio” option of the menu item “Audio” in the service menu I. A level adjustment is performed using the volume control of the panel of the solarium, and the volume control of the external player.

Figure 10.1



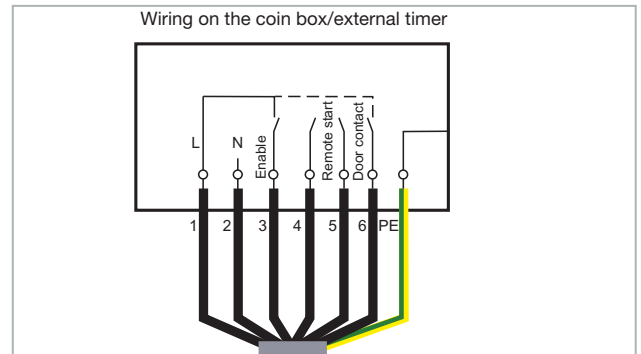
The tanning unit can only be operated with audio sources if you have purchased the optionally available audio package.

For further information, please refer to the chapters “Connections” and “Operation in service mode”.

Connecting the external timer

Connect the external timer (coin box, studio control) according to the instructions supplied with the timer. The following diagram shows the wiring requirements with regard to the timer. The door contact is required if you have opted for the booth-scenting feature.

Figure 10.2



Connecting the chan. selection

The following diagrams show the wiring of the channel selection on the audio equipment’s side, for pulse coding and for BCD coding.

Figure 10.3

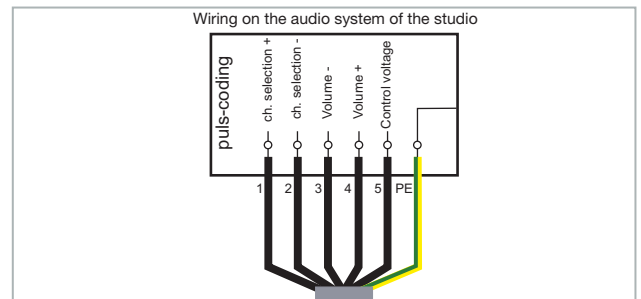
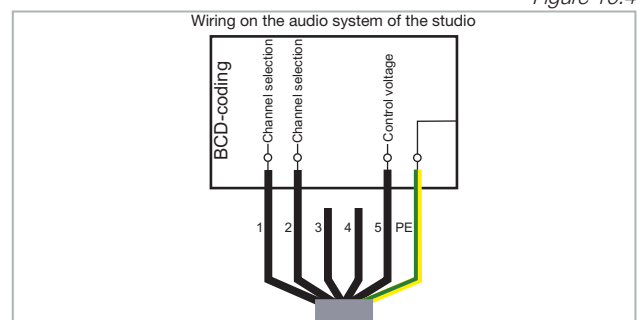


Figure 10.4



CHANNEL	BCD CODING	
1	0	0
2	1	0
3	0	1
4	1	1

aquaCool and Aroma connections

AQUACOOOL

The aquaCool box is equipped with a connection for liquid-level monitoring ① as well as with a hose connection each for the supply of the aquaCool liquid ② and the compressed air ③.

Figure 11.1



1	Connector (liquid-level monitoring)
2	Inlet (aquaCool medium)
3	aquaCool compressed-air supply

AROMA

The optionally available Aroma box is attached to the rear side of the aquaCool box. The Aroma box is equipped with three hose connections, one leading to the Aroma tin ④ and the other two to the ventilation ducts of the foot nozzles ⑤.

Figure 11.2

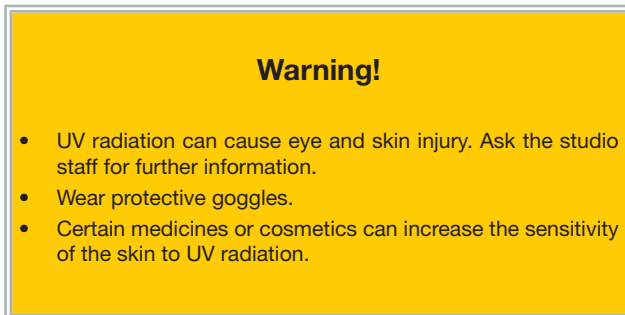


4	Aroma box (inlet)
5	Aroma box (outlets)

Start-up

Before switching on for the first time:

- Fix the supplied warning sign or one with the following wording permanently to the wall close to the tanning unit:



- Determine the presettings for the device in the service menu.
- Store these Operating Instructions in a place that allows for easy access at any time.

Operating modes

The three different operating modes are explained below:

STANDBY MODE

The unit is in an idle state, i.e. it is connected to the mains but is currently not being used. The tubes and the tanning lamps are switched off. From the standby mode, you can change over to the tanning mode or to the service mode.

TANNING MODE

The tubes and the tanning lamps are switched on and a tanning session is in progress. While the unit is in tanning mode, the settings for the ongoing tanning session can be changed via the control panel.

FAN RUN-ON

After the tanning session, the fan runs on for 3 minutes in order to cool down the device. The fan power is automatically decreased as the tubes cool down.

SERVICE MODE

In the service mode, the device is configured for the tanning mode. Various values can be displayed and test functions can be carried out.

Tanning instructions

As a rule, an averagely tanning skin has achieved a uniform tan after three to five tanning sessions. These sessions should take place every second day. To preserve the suntan achieved, one or two tanning sessions per week are normally sufficient.

NO SUNSCREEN WITH PROTECTION FACTOR

Sunscreens with sun protection factors are unsuitable for use in a tanning salon. For tanning, the skin should have been thoroughly cleaned and be dry. For optimum skin care, we recommend using our "AfterSun" line of body-care products after tanning.

Instructions for the user

Observe the following tanning instructions:

GENERAL

- Any person that complies with the requirements laid down in the chapter "Intended use" may use the device.
- The different skin types tolerate the sun and hence tanning times to a different degree. Please observe the specifications in the skin-type table (supplied with the unit) and the tanning times. After having reached the ultimate tan, further tanning can only be achieved by substantially exceeding the allowed tanning times. This must absolutely be avoided.
- The UV radiation of the sun or of UV appliances can cause damage to the skin or to the eyes. These biological effects depend on the type and amount of radiation as well as on the individual sensitivity of the skin.
- After excessive exposure to radiation, the skin may exhibit sunburn. Excessively repeated exposure to UV radiation of sunlight or UV appliances can result in premature ageing of the skin and in a higher risk

of skin cancer.

- The unprotected eye can suffer from surface inflammation, and in certain cases, e.g. after a cataract operation, excessive radiation can damage the retina. After many repeated sessions, a cataract may form.
- No exposure to UV radiation if medicine is taken that increases the sensitivity to ultraviolet radiation. If in doubt, seek medical advice.
- It cannot generally be assumed that the use of a solarium reduces the risk of getting sunburn.
- Seek medical advice if persistent swellings or sores develop on the skin or if pigmented moles change in appearance.
- Only use radiation appliances of UV type 4 after consulting a doctor.

FOR EACH TANNING SESSION

- Always wear the supplied protective goggles.
- Remove cosmetics before the session and do not use any sunscreen.
- Allow for at least 48 hours to pass between sessions.
- After a tanning session in a studio, do not take another sunbath out of doors on the same day.

Tanning times

Please refer to the following tables for learning the individually applicable tanning times that depend on the type of tanning system and on the skin type. For the precise definition of the skin types, please consult the supplied skin-type table.

If the tanning-session sequence is interrupted for four weeks or more, you will have to start with the first session again. The times given in the tanning tables only apply on the condition that the tanning units undergo regular maintenance according to the intervals stipulated in the chapter "Maintenance" (cleaning and replacement of tubes).

5600 SUPER - INDUCTIVE (LEVEL 1) *

According to SCCP recommendation -> 0.3 W/m²

	Skin type		
	II	III	IV
Session 1	7 min	7 min	7 min
Session 2	8 min	8 min	9 min
Session 3	8 min	10 min	11 min
Session 4	9 min	11 min	13 min
Session 5	10 min	13 min	16 min
Session 6	11 min	14 min	18 min
Session 7	12 min	16 min	20 min
Session 8	13 min	18 min	22 min
Session 9	14 min	19 min	24 min
Session 10	15 min	21 min	26 min
Session 11	16 min	22 min	28 min
Session 12	17 min	24 min	30 min
The interval between two tanning sessions must be at least 48 hours.			
Max. number of tanning sessions per year (=15 kJ/m ²)	60	43	33

5600 SUPER - CPI (LEVEL 1) *

According to SCCP recommendation -> 0.3 W/m²

	Skin type		
	II	III	IV
Session 1	6 min	6 min	6 min
Session 2	7 min	7 min	8 min
Session 3	7 min	8 min	9 min
Session 4	8 min	10 min	11 min
Session 5	9 min	11 min	13 min
Session 6	10 min	12 min	15 min
Session 7	10 min	14 min	17 min
Session 8	11 min	15 min	19 min
Session 9	12 min	16 min	20 min
Session 10	13 min	18 min	22 min
Session 11	14 min	19 min	25 min
Session 12	15 min	20 min	26 min
The interval between two tanning sessions must be at least 48 hours.			
Max. number of tanning sessions per year (=15 kJ/m ²)	60	43	33

5600 SUPER POWER & ULTRA POWER - INDUCTIVE (LEVEL 1) *

According to SCCP recommendation -> 0.3 W/m²

	Skin type		
	II	III	IV
Session 1	6 min	6 min	6 min
Session 2	7 min	7 min	8 min
Session 3	8 min	9 min	10 min
Session 4	8 min	10 min	11 min
Session 5	9 min	11 min	14 min
Session 6	10 min	13 min	16 min
Session 7	11 min	14 min	17 min
Session 8	11 min	16 min	19 min
Session 9	12 min	17 min	21 min
Session 10	13 min	18 min	23 min
Session 11	14 min	20 min	25 min
Session 12	15 min	21 min	27 min
The interval between two tanning sessions must be at least 48 hours.			
Max. number of tanning sessions per year (=15 kJ/m ²)	60	43	33

5600 SUPER POWER & ULTRA POWER - CPI

(LEVEL 1) *

According to SCCP recommendation -> 0.3 W/m²

	Skin type		
	II	III	IV
Session 1	6 min	6 min	6 min
Session 2	7 min	7 min	7 min
Session 3	7 min	8 min	9 min
Session 4	8 min	10 min	11 min
Session 5	9 min	11 min	13 min
Session 6	9 min	12 min	15 min
Session 7	10 min	14 min	17 min
Session 8	11 min	15 min	18 min
Session 9	12 min	16 min	20 min
Session 10	13 min	18 min	22 min
Session 11	13 min	19 min	24 min
Session 12	14 min	20 min	26 min
The interval between two tanning sessions must be at least 48 hours.			
Max. number of tanning sessions per year (=15 kJ/m ²)	60	43	33

* For tube set, see table "Technical data".

5600 SUPER - INDUCTIVE (LEVEL 2) * / **

	Skin type		
	II	III	IV
Session 1	4 min	4 min	4 min
Session 2	5 min	5 min	6 min
Session 3	6 min	6 min	7 min
Session 4	6 min	7 min	8 min
Session 5	7 min	8 min	10 min
Session 6	7 min	9 min	12 min
Session 7	8 min	10 min	13 min
Session 8	8 min	12 min	14 min
Session 9	9 min	13 min	16 min
Session 10	10 min	14 min	17 min
Session 11	10 min	15 min	19 min
Session 12	11 min	16 min	20 min
The interval between two tanning sessions must be at least 48 hours.			
Max. number of tanning sessions per year (=15 kJ/m ²)	60	43	33

5600 SUPER POWER & ULTRA POWER - INDUCTIVE (LEVEL 2) * / **

	Skin type		
	II	III	IV
Session 1	4 min	4 min	4 min
Session 2	5 min	5 min	6 min
Session 3	5 min	6 min	7 min
Session 4	6 min	7 min	8 min
Session 5	7 min	8 min	10 min
Session 6	7 min	9 min	11 min
Session 7	8 min	10 min	13 min
Session 8	8 min	11 min	14 min
Session 9	9 min	12 min	15 min
Session 10	10 min	13 min	17 min
Session 11	10 min	14 min	19 min
Session 12	11 min	15 min	20 min
The interval between two tanning sessions must be at least 48 hours.			
Max. number of tanning sessions per year (=15 kJ/m ²)	60	43	33

5600 SUPER & SUPER POWER & ULTRA POWER CPI (LEVEL 2) * / **

	Skin type		
	II	III	IV
Session 1	4 min	4 min	4 min
Session 2	5 min	5 min	5 min
Session 3	5 min	6 min	6 min
Session 4	6 min	7 min	8 min
Session 5	6 min	8 min	9 min
Session 6	7 min	9 min	10 min
Session 7	7 min	9 min	12 min
Session 8	8 min	10 min	13 min
Session 9	8 min	11 min	14 min
Session 10	9 min	12 min	15 min
Session 11	9 min	13 min	17 min
Session 12	10 min	14 min	18 min
The interval between two tanning sessions must be at least 48 hours.			
Max. number of tanning sessions per year (=15 kJ/m ²)	60	43	33

5600 SUPER POWER & ULTRA POWER - CPI WITH LEG TANNER (LEVEL 2) * / **

	Skin type		
	II	III	IV
Session 1	4 min	4 min	4 min
Session 2	4 min	5 min	5 min
Session 3	5 min	5 min	6 min
Session 4	5 min	6 min	7 min
Session 5	5 min	7 min	8 min
Session 6	6 min	8 min	10 min
Session 7	6 min	9 min	11 min
Session 8	7 min	9 min	12 min
Session 9	8 min	10 min	13 min
Session 10	8 min	11 min	14 min
Session 11	9 min	12 min	15 min
Session 12	9 min	13 min	16 min
The interval between two tanning sessions must be at least 48 hours.			
Max. number of tanning sessions per year (=15 kJ/m ²)	60	43	33

* For tube set, see table "Technical data".

** Operation not permitted within the area of validity covered by EU standards!

Operation in tanning mode

⚠ DANGER

Excessive dose of UV radiation

If the tanning session is prolonged excessively, the skin and the eyes will be injured severely.

- Never operate the solarium with a defective timer.
- Comply with the tanning times given in the tanning schedule.

The tanning mode starts automatically after the warm-up time specified in the timer has elapsed. During the warm-up time, the tanning session can be started manually by pressing the START button.

Displays in tanning mode

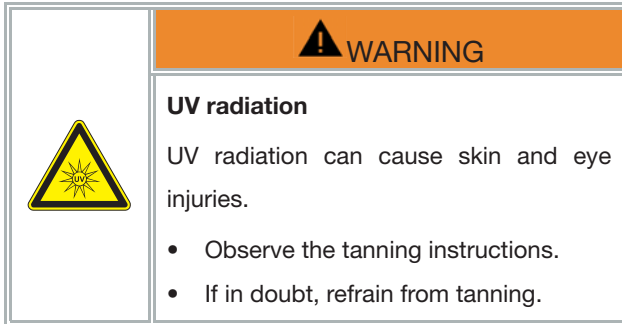
The following section shows the display and names its operating elements available in the tanning mode. Which of the operating elements are actually available on your device depends both on the optional features selected for your tanning system and on the settings made in the service menu.

Display



	Display of session time and of change in volume and fan power
	Back to previous/forward to next display
	Volume
	aquaCool: on/off/empty
	Facial Tanner/Shoulder Tanner on/off
	Body fan

Assuming the tanning position and starting / stopping the tanning session



ASSUMING THE TANNING POSITION

The door must be kept closed during the tanning session in order to ensure the proper functioning of the ventilation system. Persons with long hair need to wear a hair net during the session.

1. Close the door and place yourself in the middle of the device. Make sure that you are positioned at an equal distance between your body and the surrounding sunlamps.
2. Put on the protective goggles.

STARTING

To start the system during the warm-up time, press the **START** button. After the set warm-up time has elapsed, the tanning session will commence automatically.

STOPPING

Keep the **STOP** button pressed for at least two seconds. As an acknowledgement, you will hear a sound signal, and the session-time display starts flashing. The session is discontinued but the time will continue to be counted. The tanning session can be continued by pressing the **START** button if the available session time has not elapsed yet.

After the time given by the timer has elapsed, the session is terminated automatically, and the fan will run on for three minutes.

Functions (KBL/4)



Use the plus button to switch on the function or to set the next higher value. Press the button as often as necessary to set the maximum value (e.g. fan speed).



Use the minus button to switch off the function or to set the next lower value. Press the button as often as necessary to set a lower value (e.g. volume).



Use the **START** button to switch on the unit during the warm-up time.

If the tanning session has been interrupted by pressing the **STOP** button, it can be continued by pressing the **START** button, provided that the session time available from the coin box/timer system has not elapsed yet.



The tanning session can be terminated prematurely by pressing the **STOP** button for at least 2 seconds.

NUMERIC DISPLAY



While the tanning program is running, the current session time is displayed here. If you change the volume, the set value between 0 ... 99% is indicated here. If you change the fan speed, the value between 20 and 99% is displayed.

TERMINATION OF THE TANNING SESSION

After the session time has elapsed, a program to shut down the solarium is started:

A voice (for vocal guide systems) announces the end of the tanning session and says goodbye to the customer.

Sunlamps, tubes and ventilation are shut down in steps.

The LEDs (for units equipped with activeColor) will afterglow in the set colour for another 20 seconds.

EXTENDED MENU



The double arrows indicate that there are further menus available that can be invoked by touching “+” or “-” above/below the double arrow. The following menus are available (explained below):

Music channel / Air-conditioning / Colour stimulation



Aroma function



Acoustic menu guidance



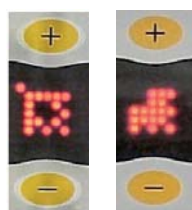
You will see which of the functions are activated after switching on the unit (1=on; 0=off) by invoking these further menu functions. Particular customer requests can be preselected by making the corresponding settings in the service menu.

VOLUME



Use the “+” and “-” buttons to control the volume of the music. The volume is displayed in the numeric field as a value between 0 ... 99 %. Press the corresponding button as often as necessary to reach the desired volume. The “-” button can be used to switch off the music: at first, set the value to 20 %, then press the “-” button again for a longer time.

AQUACOOL



This is to switch on the aquaCool spray mist (plus button, symbol flashing) or to switch it off (minus button, symbol not flashing). Default setting when starting the unit: as selected in the menu AAC/Aqua on service level.

If the system is running short of aquaCool liquid, the message “Aqua low” is displayed between sessions.

After the first message, there is sufficient aquaCool left for approx. 2.5 hours of operation with aquaCool. If the system has run out of aquaCool liquid, the message “Aqua 0%” appears and the symbol is crossed out. If you wish to continue to operate the unit without aquaCool, you can switch off the messages and the symbol. To do so, go to the service level II and set the submenu Aqua of the menu AAC to OFF.

FACIAL TANNER/SHOULDER TANNER



The control of the shoulder tanner is linked with the facial tanner. The shoulder tanner is switched on whenever the facial tanner is switched on, but its power cannot be decreased. When the facial tanner is switched off, the shoulder tanner is also switched off.

Important: Do not operate the shoulder tanner without lamp unit.

Level II: After the tanning program has been started, the facial tanners are automatically turned on at the maximum power level.

Level I: The power is reduced to level I by pressing the “-” button. This level is not implemented in the megaSun 5600 Super, Super Power and Ultra Power models of UV type 3.

Level 0: The facial tanners are completely turned off by pressing the “-” button again for a few seconds.

Use the “+” button to switch the tanners on again or to increase their power.

After the tanners have been switched off, there is a time delay before they can be switched on again because the lamps must cool down first.

BODY FAN



The power of the body fan can be increased or decreased in steps of 10 % by pressing the “+” or “-” buttons.

After the fan has been switched on, it starts at the power level set under ACS/A.START in the service menu on level II.

Press “-” as often as necessary until the value 20% is displayed to switch off the body fan. Then press the button once again and keep it pressed for 0.5 seconds. After a time delay, the fan is turned off. You can switch it on again at any time by pressing the “+” button.

FIRST SUBMENU



CHANNEL SELECTION



This function allows you to select the audio source, e.g. to change the channel or to proceed to the next track (MP3).

The music can be selected by the studio operator and then copied to the chip using a computer.

The MP3 player is designed in such a way that only the SD card containing the music needs to be exchanged. All sunbeds equipped with MP3 players supplied by KBL are delivered with the music of the “megaSun & friends“ CD. Optionally, the music of the MP3 player can be switched on during session breaks.

Use the “+” or “-” buttons above or below the symbol to switch over.

For channel selection, you can switch over to BCD selection (see AUDIO menu on service level I).

Note: The music of the MP3 unit can only be controlled by one audio source, i.e. either by the chip of the MP3 player or by an external audio source.

AIR CONDITIONING



This function can only be found in this place of the menu if aquaCool has been configured. Otherwise, it is available on the next operating level.

Use the “+” or “-” buttons to switch the air-conditioning system on or off during the tanning session. After the air-conditioning unit has been switched off, it can only be switched on again after 3 minutes. A small asterisk is displayed. If the request for re-activation is made earlier, it is recorded (big asterisk); after the 3 minutes have elapsed, it is switched on automatically.

Exception: If the turning-off was effected by the coin-controlled timer system, the unit can be switched on again immediately.

FROM SOFTWARE VERSION 6.0 ON, OR, FOR TANNING UNITS WITH EASYCARE, FROM VERSION 3.0 ON



In this first operating submenu, P means programme. The user can choose from three audio sources during the tanning session, provided that the sources are available and have been activated in the service menu I:

- Wellness music,
- Pop music
- Music supplied by the studio control

P is displayed if at least two sources are available and activated.

The new audio source is selected and briefly displayed by pressing the “+” or “-” button above/below the “P”. Please refer to the service menu I for more information.


The symbol “channel selection” means “next track” for Wellness and Pop, and, as usual, “next channel of the external audio source” for studio music.

Switching over is done by pressing the “+” or “-” buttons above the channel-selection symbol.

WELLNESSCOLOR G

This option refers to the illumination with 24 green LEDs; however, these cannot be switched on or off (no menu function). The colour function “activeColor” (R - G - B) indicated in the menu is not functional and not available for megaSun 5600/5800 models. It remains in the menu for compatibility reasons only. ACTIVECOLOR IS ONLY AVAILABLE FOR MEGASUN BEAUTY.


AROMA



The “aroma” function can be activated with the “+” buttons and deactivated by pressing the “-” buttons. The display flashes when the function is deactivated. KBL offers 2 fragrances: “Sunrise” and “Daydream”. There is always only one fragrance at a time available in the solarium; however, it can easily be exchanged. The fragrance comes in the form of a gel. Please note that the gel will not be fully used up; a small amount will always remain. The filling status is displayed so that the operator knows when to replace the gel. The scent itself is released at the foot of the unit. Aroma and aquaCool are activated immediately one after the other (Aroma – aquaCool – Aroma) and repeat at one-minute intervals.

Note: pureAir and Aroma are mutually exclusive. As long as the Aroma function is active, pureAir remains deactivated.

MEGAVOICE



The “Voice” function can be activated by pressing the “+” buttons (2...5), and deactivated with the “-” buttons (6...0). The display flashes as long as the function is switched off. megaVoice guides the studio customer quickly and easily through the operation options of the tanning system. If desired, the customer can deactivate megaVoice during the tanning session.

PUREAIR

The “pureAir” function cannot be switched on or off using buttons. Note: pureAir and Aroma are mutually exclusive. As long as the Aroma function is active, pureAir remains deactivated.

Functions (KBL/5)

This menu includes the following functions:

- Session time
- Channel selection
- Volume of the music
- Air-conditioning unit
- Sunlamps
- Body fan

START

Press the START button to turn on the unit during the warm-up time. If the session has been interrupted by pressing the STOP button, it can be continued by pressing START, provided that the session time made available by the coin box/timer system has not elapsed yet. The numeric display indicates the session time and, after the total session time has elapsed, the running text.

STOP

The tanning session can be terminated prematurely by pressing this button for at least two seconds.

NUMERIC DISPLAY



While the tanning program is running, the current session time is displayed here. If the volume is changed, the set value between 0 ... 99% is briefly displayed here. If the fan power is changed, the setting is also briefly displayed as a value between 20 % and 99 %.

TERMINATION OF THE TANNING SESSION

After the session time has elapsed, a program to shut down the tanning system starts:

Tanning lamps, tubes and the ventilation are shut down in steps and switched off.

CHANNEL SELECTION



You can choose the next channel or go back to the previous one by pressing the “+” or “-” buttons above or below the symbol for the audio source.

As far as the channel selection is concerned, you can switch over to BCD or pulse selection (see AUDIO menu on service level I).

VOLUME



The volume of the music can be changed by pressing the “+” and “-” buttons. The current value (in %) is displayed for a short period of time.

The music can be switched off by pressing the “-” button: first, set the value to 20 %, then press the “-” button once for a longer time.

AIR-CONDITIONING UNIT



Press the “+” or “-” buttons to switch the air-conditioning unit on or off during the tanning session. After the unit has been switched off, it can only be turned on again after 3 minutes. A small asterisk is displayed.

If the request to switch the air-conditioning on again is made earlier, it is stored (big asterisk), and the unit is automatically turned on after the 3 minutes have elapsed. Exception: If the unit is switched off via the coin-controlled timer system, it can be restarted immediately.

FACIAL TANNER / SHOULDER TANNER



The control of the shoulder tanner is linked with the facial tanner. The shoulder tanner is switched on together with the facial tanner; however, it cannot be reduced in power. If the facial tanner is switched off, the shoulder tanner is also deactivated.

IMPORTANT: Do not operate the shoulder tanner without lamp unit.

Level II: After the start of the tanning program, the facial tanners automatically operate at maximum level.

Level I: The power is reduced to level I by pressing the “-” button. This level is not available for megaSun 5600 Super, Super Power and Ultra Power models of UV type 3.

Level 0: If you press the “-” button again for at least 3 seconds, the facial tanners are completely turned off. Press the “+” button to switch the tanners on again, or to increase their power.

After the tanners have been switched off, there is a time delay before they can be switched on again because the sunlamps must cool down first.

BODY FAN



The power of the body fan can be increased or decreased in steps of 10 % by pressing the “+” or “-” buttons.

After the unit has been switched on, the fan starts at the power level set under ACS/A.START in the service menu on level II.

Press “-” as often as necessary to reach a value of 20% in order to deactivate the body fan. Then press the button once again and keep it pressed for 0.5 seconds. After a time delay, the fan will stop running. It can be switched on again at any time by pressing the “+” button.

Information for the studio operator

DAILY CHECKS AND BASIC SETTINGS

Please ensure that you check and empty the condensate tank daily and that you refill the consumables. Please also note the settings you can make on the service levels of the operating system, e.g. colour stimulation, Aroma, timer controls, etc.

DECORATIVE LIGHTING



The decorative lighting can be switched on or off by pressing the “+”...”-”...”+” sequence of the body fan as long as there is no incoming signal from the coin-controlled timersystem. Make sure that you do not let more than 1 second elapse between the individual keystrokes. Also note that you can set two cycles of operation of the decorative lighting for each day of the week.

ERROR MESSAGE “EXHAUST AIR”

This error message is displayed and can be acknowledged by pressing the “Stop” button.

The Service staff must have eliminated the cause of the message previously.

This message is displayed as a result of:

excessive temperature inside the tanning unit, or defective exhaust air fan.

Standby/service mode

In standby mode, you can turn the decorative lighting of the device on and off. In service mode, settings for operation in tanning mode are made, and certain values concerning the operation of the unit can be displayed.

Turning the decorative lighting on and off

Press the buttons in the following order to turn the decorative lighting on or off: 5 0 5. Make sure that you carry out the keystrokes quickly one after the other!

In addition to this manual setting, you can go to the service menu and program a timer providing two independent activation and deactivation times.

Service menu

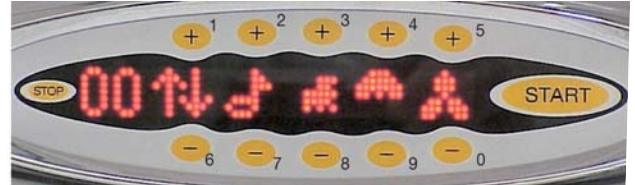
There are two service levels that can be accessed via passwords (PIN). Press the buttons 1 ... 0 to reach these levels and to be able to initiate processes on these levels. For this reason, the plus and minus buttons are also marked with numbers.

Two conditions must be fulfilled in order to access the service screens:

- No error message displayed
- No incoming signal from the coin box/timer system

If there is an error message pending, eliminate the fault first and then reset the message by pressing the “Stop” button.

Figure 24.1 Buttons 1 ... 0 for service mode



SERVICE LEVEL I

Press the sequence of buttons 1 6 1 and then enter the PIN 1 1 1 1 to access service level I.

SERVICE LEVEL II

This level contains service screens that are only used by the Technical Service staff. You reach level II from the “PIN II” menu on level I by entering the correct PIN (not 1 1 1 1). Please request the PIN from the KBL service organisation.

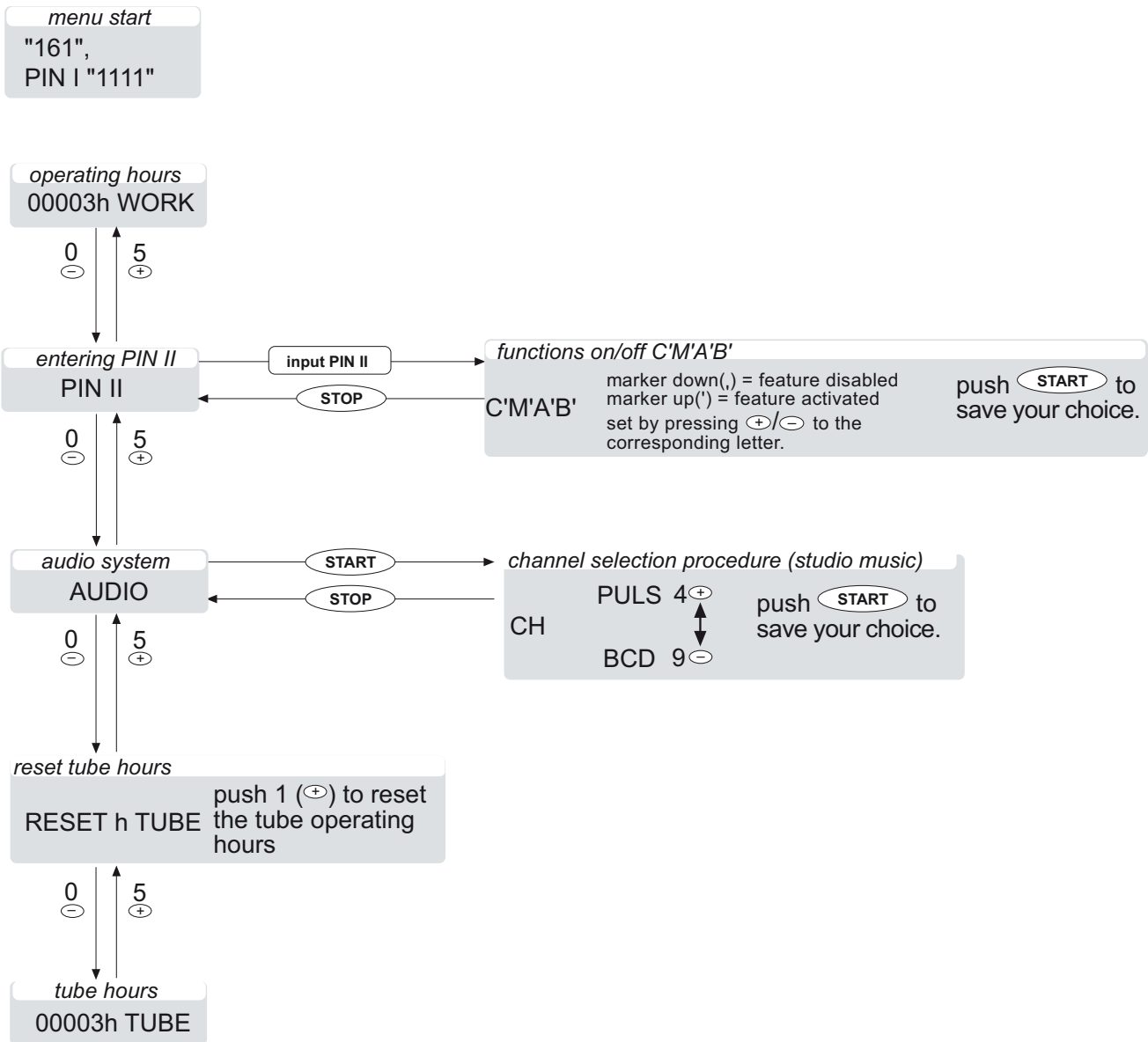
GENERAL NAVIGATION

After the service level I has been invoked, the following applies:

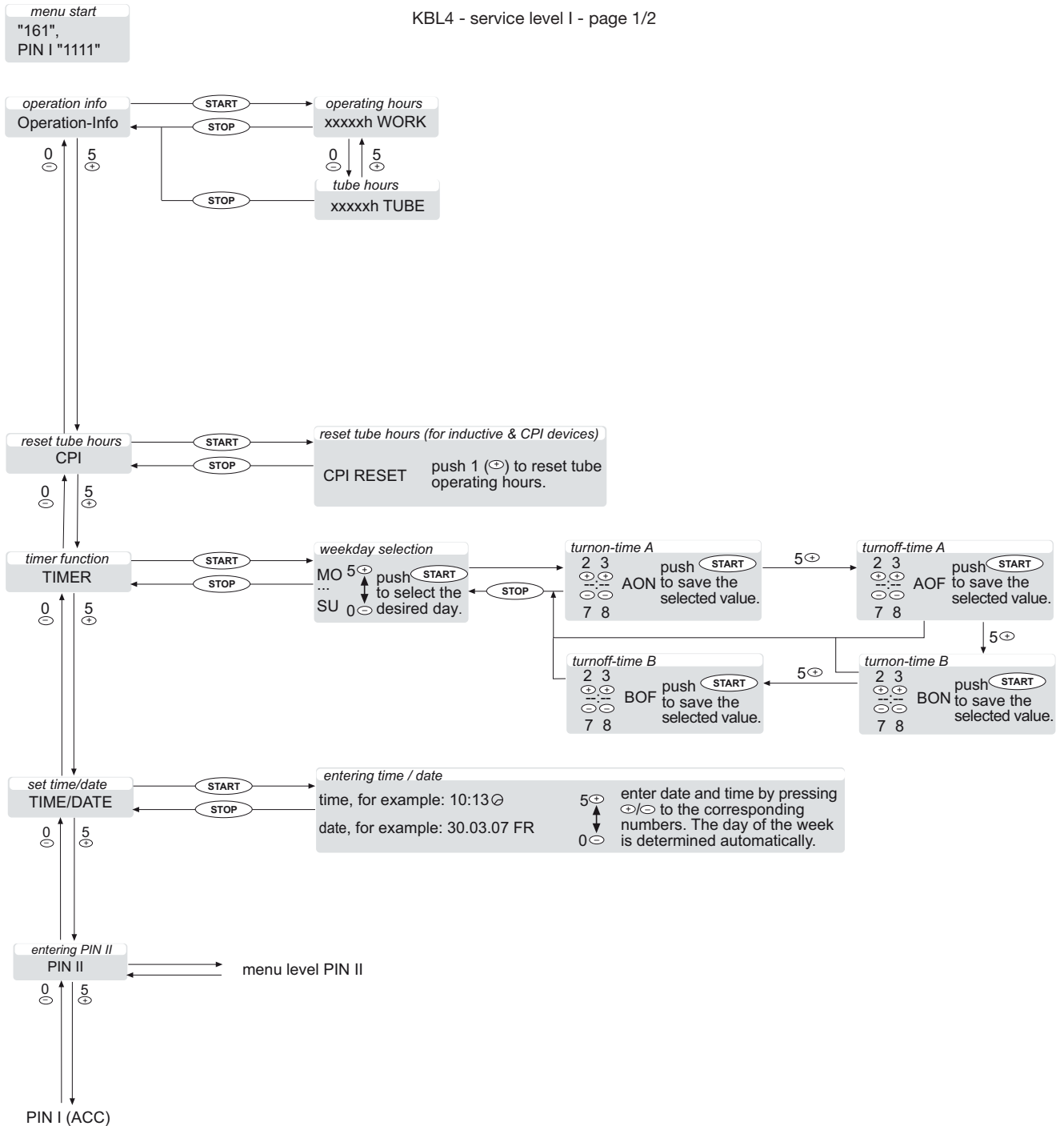
- Button 5: go forward within the menu
- Button 0: go back within the menu
- Stop button: exit the menu level, or exit the menu
- Start button: select the menu item, or save the displayed and changed value

Overview: KBL5 service menu

KBL5 - service level I & II - page 1/1

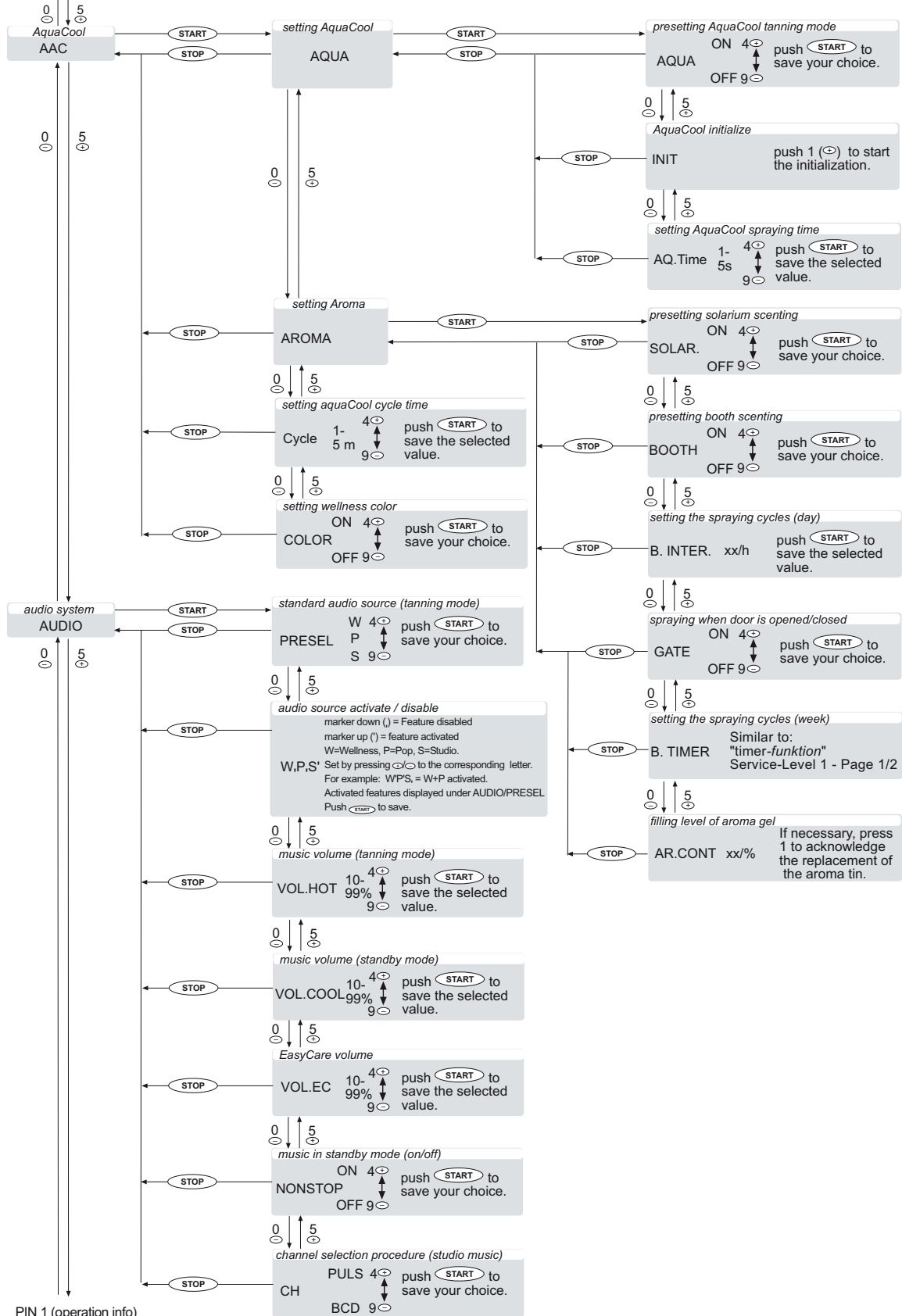


Overview: KBL4 service menu

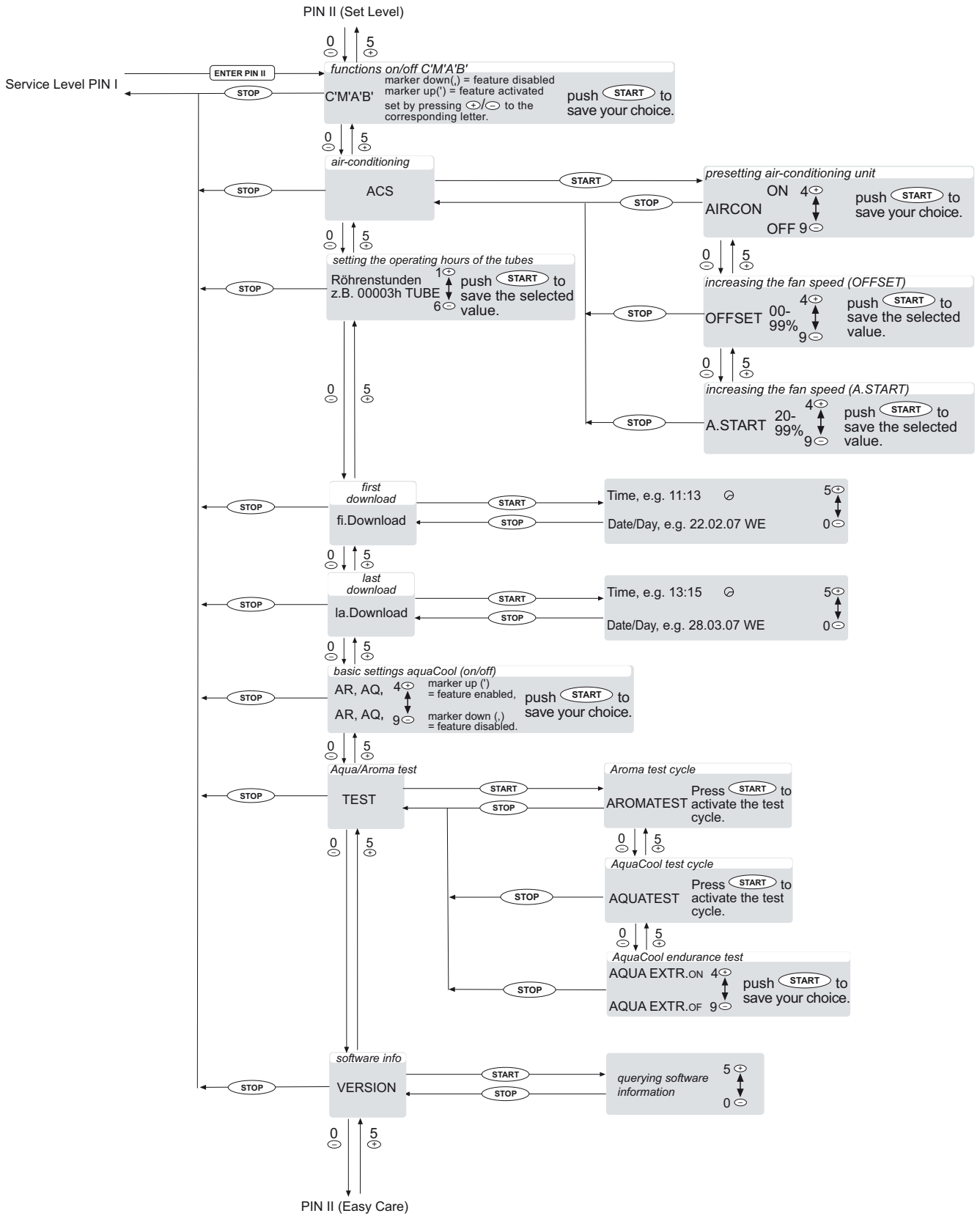


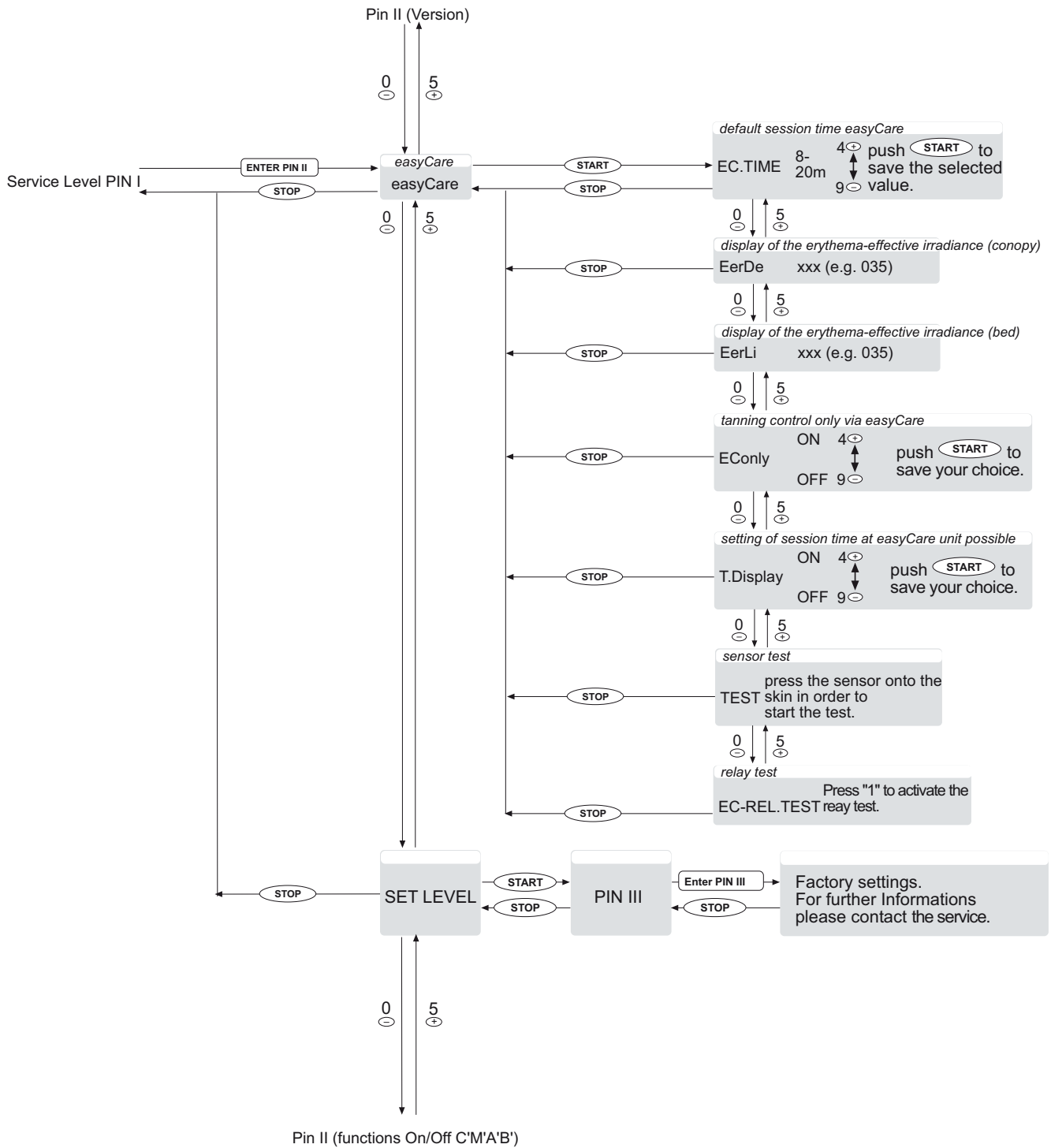
PIN I (entering Pin II)

KBL4 - service level I - page 2/2



PIN 1 (operation info)





KBL5 and KBL4 processors use different software variants! The KBL5 menu only contains a subset of the setting options available in the KBL4 menu. The order of the following information refers to the KBL4 menu. KBL4 menu items are labelled ④. Items pertaining to the KBL5 menu are additionally marked ⑤.

Settings on service level I

Information about operation ④

Select the menu item `Operation-Info` to display the working hours of the tanning system (`WORK`), the operating hours of the tubes (`TUBE`) as well as temperature information.

Displaying the operating hours of the solarium ④⑤

The menu item `xxxxxh WORK` is used to display the operating hours of the tanning unit.

1. Invoke the display of the operating hours (`xxxxxh WORK`) by pressing 0 (minus button) or 5 (plus button).
2. Press STOP to exit the menu.

Displaying the operating hours of the tubes ④⑤

The menu item `xxxxxh TUBE` is used to display the operating hours of the solarium's tubes.

1. Invoke the display of the operating hours of the tubes (`xxxxxh TUBE`) by pressing 0 (minus button) or 5 (plus button).
2. Press STOP to exit the menu.

Resetting the operating hours of the tubes (KBL4/KBL5) ④⑤

Use the menu item `CPI RESET (KBL4)` to reset the operating hours of the tubes to zero for inductive and CPI-equipped units. These tube hours must be reset after each replacement of tubes.

1. Invoke the `PIN II` menu and enter the PIN.
2. Press 5 (plus button) or 0 (minus button) to select `CPI`.
3. Press START to open `CPI RESET`.
4. Keep 1 (plus button) pressed as long as necessary to set the hours to zero.
5. Press START to save the settings, then exit the menu using the STOP button.

Use the menu item `RESET h TUBE (KBL5)` to reset the operating hours of the tubes to zero. These tube hours must be reset after each replacement of tubes.

1. Press 5 (plus button) or 0 (minus button) to select `RESET h TUBE`.
2. Keep 1 (plus button) pressed as long as necessary to set the hours to zero.
3. Press START to save the settings, then exit the menu using the STOP button.

Setting the timer function of the decorative lighting ④

The menu item `TIME/DATE` allows you to enter two pairs of times per day at which the decorative lighting is automatically switched on and off (e.g. Monday at 10:00 h on, at 12:00 h off, at 13:00 h on again, and at 22:00 h off, Tuesday at 11:00 h on, at 22:00 h off, etc.). If a switching time is not required, it can be deleted by pressing 1.

1. Invoke the `TIMER` menu.
2. Select the days of the week with START and then press 5 (plus button) or 0 (minus button) to set the desired day.
3. Press START to invoke `RON` and set the desired

time using the plus and minus buttons 2, 3, 7, 8. Press START. Proceed in the same way for ADF, BON and BOF.

4. Press STOP to leave the menu.

Setting date and time ④

The current time and date are set within the menu item TIME/DATE. This information is required for the proper execution of the timer function for the decorative lighting. Date and time are displayed for approx. 2 seconds after the unit has been turned on.

1. Invoke the TIME/DATE menu.
2. Choose the time setting with START and set the time by pressing the plus or minus buttons to the corresponding number.
3. Choose the date setting using 5 (plus button) or 0 (minus button) and set the date by pressing the plus or minus buttons to the corresponding number. The day of the week is determined automatically.
4. Save the settings using START and press STOP to exit the menu.

Entering PIN II ④⑤

By entering your PIN II here, you will be admitted to the next service level. (See *Settings on service level II*).

Setting aquaCool characteristics ④

SETTING THE AQUACOOOL CYCLE TIME

The menu item AAC/Cycle is used to set the interval between spraying cycles: between 0.5 and 5 minutes.

1. Invoke the AAC menu.
2. Press START to invoke the submenu and 5 (plus button) or 0 (minus button) to select Cycle.
3. Set the cycle time using 4 (plus button) or 9 (minus button) .
4. Press the START button to save the settings and leave the menu by pressing STOP.

PRESETTING TANNING MODE

Use the menu item AAC/AQUA/AQUA to determine whether aquaCool is started automatically with the tanning session (AQUA ON) or if it can be activated manually by the studio client (AQUA OFF).

1. Invoke the AAC menu.
2. Invoke the submenu by pressing START twice; then press 5 (plus button) or 0 (minus button) to select AQUA.
3. Select AQUA ON by pressing 4 (plus button) or AQUA OFF by pressing 9 (minus button).
4. Save the settings by pressing START and exit the menu by pressing the STOP button.

INITIALISING AQUACOOOL

The menu item AAC/AQUA/INIT is used to start a spraying cycle of 90 seconds. This is required before the start-up or after a repair in order to exhaust the system.

1. Invoke the AAC menu.
2. Press START twice to open the submenu and select INIT by pressing 5 (plus button) or 0 (minus button).
3. Start the spraying cycle by pressing 1 (plus button).
4. Press STOP to exit the menu.

SETTING THE AQUACOOOL SPRAYING TIME

The menu item AAC/AQUA/AQ.Time is used to set the duration of a spraying cycle: between 2 and 6 seconds.

1. Invoke the AAC menu.
2. Press the START button twice to invoke the submenu, then select AQ.Time by pressing 5 (plus button) or 0 (minus button).
3. Select the spraying time by pressing 4 (plus button) or 9 (minus button).
4. Save the settings with START and press STOP to leave the menu.

WELLNESS COLOR (ACTIVATING / DEACTIVATING)

The menu item AAC/COLOR allows you to activate or deactivate the color stimulation.

1. Invoke the AAC menu.
2. Press the START button to invoke the submenu, then select COLOR by pressing 5 (plus button) or 0 (minus button).
3. Activate the function by pressing 4 (plus button) and deactivate it by pressing 9 (minus button).
4. Save the settings with START and press STOP to leave the menu.

Setting Aroma characteristics

④

PRESETTING SOLARIUM SCENTING

Use the menu item AAC/AROMA/SOLAR. to determine whether an Aroma fragrance is to be sprayed inside the solarium (SOLAR. ON) or not (SOLAR. OFF).

1. Invoke the AAC menu.
2. Open the submenu by pressing START twice and select SOLAR. by pressing 5 (plus button) or 0 (minus button).
3. Set SOLAR. ON by pressing 4 (plus button) or SOLAR. OFF by pressing 9 (minus button).
4. Save the settings by pressing START and leave the menu with the STOP button.

PRESETTING BOOTH SCENTING

The menu item AAC/AROMA/BOOTH allows you to determine whether an Aroma fragrance is to be sprayed inside the booth (BOOTH ON) or not (BOOTH OFF).

1. Invoke the AAC menu.
2. Press START twice to open the submenu and select BOOTH by pressing 5 (plus button) or 0 (minus button).
3. Set BOOTH ON by pressing 4 (plus button) or BOOTH OFF by pressing 9 (minus button).
4. Save the settings with START and exit the menu by pressing the STOP button.

SETTING THE SPRAYING CYCLES (DAY)

Under the menu item AAC/AROMA/B.INTER., you can define the number of spraying cycles per hour: between 0 and 24 cycles/hour.

1. Invoke the AAC menu.
2. Press the START button twice to open the submenu. Then select B.INTER. by pressing 5 (plus button) or 0 (minus button).
3. Select the cycle time by pressing 4 (plus button) or 9 (minus button).
4. Press START to save the settings and leave the menu by pressing STOP.

SPRAYING WHEN DOOR IS OPENED/CLOSED

Use the menu item AAC/AROMA/GATE to specify whether an Aroma fragrance is to be sprayed inside the booth (GATE ON) or not (GATE OFF) when the door of the booth is opened or closed.

1. Invoke the AAC menu.
2. First, select the submenu by pressing START twice, then select GATE by pressing 5 (plus button) or 0 (minus button).
3. Select GATE OFF by pressing 4 (plus button) or 9 (minus button).
4. Press the START button to save the settings, then leave the menu by pressing STOP.

SETTING THE SPRAYING CYCLES (WEEK)

Use the menu item AAC/AROMA/B.TIMER to define weekly spraying cycles: one cycle per day.

1. Invoke the AAC menu.
2. Open the submenu by pressing START twice and select B.TIMER by pressing 5 (plus button) or 0 (minus button).
3. Carry out the setting as described in the section "Setting the timer function of the decorative lighting".
4. Save the settings with START and press STOP to exit the menu.

FILLING LEVEL OF AROMA GEL

The filling level of the Aroma gel container is indicated under the menu item AAC/AROMA/AR.CONT.

1. Invoke the AAC menu.
2. Press START twice to open the submenu and select AR.CONT by pressing 5 (plus button) or 0 (minus button).
3. If necessary, press 1 to acknowledge the replacement of the Aroma tin.
4. Exit the menu using the STOP button.

Setting the audio music system ④[⑤]

STANDARD AUDIO SOURCE ④

The menu item AUDIO/PRESEL is used to determine which audio source is selected as the default source when the tanning session is started. Only sources that are activated under WPS can be selected.

1. Invoke the AUDIO menu.
2. Press START to invoke the submenu and press 5 (plus button) or 0 (minus button) to select WPS.
3. Preselect the desired source by pressing 4 (plus button) or 9 (minus button).
4. Press START to save the settings and STOP to exit the menu.

ACTIVATING/DEACTIVATING AUDIO SOURCES ④

The menu item AUDIO/WPS is used to determine which audio sources are to be made available to the salon client. W=Wellness, P=Pop, S=Studio Music. In the case of a top mark (apostrophe: W'), the corresponding source is activated while it is deactivated if a bottom mark is shown (comma: W,). All activated sources are listed under AUDIO/PRESEL.

1. Invoke the AUDIO menu.
2. Use START to invoke the submenu and 5 (plus button) or 0 (minus button) to select PRESEL. Set the desired value by using the plus and minus buttons to the corresponding letters.
3. Press START to save the settings and leave the

menu by pressing STOP.

MUSIC VOLUME IN TANNING MODE ④

The menu item AUDIO/VOL.HOT is used in order to determine the volume of the music during a tanning session. The maximum possible volume of the unit is at 100 %.

1. Invoke the AUDIO menu.
2. Use START to invoke the submenu and press 5 (plus button) or 0 (minus button) to select VOL.HOT.
3. Set the desired percentage by pressing 4 (plus button) or 9 (minus button).
4. Press START to save the settings and STOP to exit the menu.

MUSIC VOLUME IN STANDBY MODE ④

Use the menu item AUDIO/NONSTOP to determine whether music is also played during standby operation (ON) or not (OFF).

1. Invoke the AUDIO menu.
2. Use START to invoke the submenu and 5 (plus button) or 0 (minus button) to select NONSTOP.
3. Set NONSTOP ON by pressing 4 (plus button) or NONSTOP OFF by pressing 9 (minus button).
4. Press START to save the settings, and leave the menu by pressing STOP.

VOLUME OF EASYCARE ④

Select the menu item AUDIO/VOL.EC in order to set the volume of the easyCare unit. The maximum possible volume of this unit is 100 %.

1. Invoke the AUDIO menu.
2. Press START to open the submenu and select VOL.EC by pressing 5 (plus button) or 0 (minus button).
3. Set the desired percentage using 4 (plus button) or 9 (minus button).
4. Press the START button to save the settings and then press STOP to exit the menu.

MUSIC ON/OFF IN STANDBY MODE ④

Use the menu item **AUDIO/!NONSTOP** to switch the music on or off in standby mode.

1. Invoke the **AUDIO** menu.
2. Press the **START** button to invoke the submenu and then press 5 (plus button) or 0 (minus button) to select **NONSTOP**.
3. Switch the option on or off by pressing 4 (plus button) or 9 (minus button).
4. Save the settings by pressing **START**; press **STOP** to leave the menu.

CHANNEL-SELECTION PROCEDURE ④⑤

The external channel-selection procedure is defined via the menu item **AUDIO/!CH**.

1. Invoke the **AUDIO** menu.
2. Invoke the submenu by pressing **START** and select **CH** by pressing 5 (plus button) or 0 (minus button).
3. Select **PULS** by pressing 4 (plus button) or **BCD** by pressing 9 (minus button).
4. Press the **START** button to save the settings and leave the menu by pressing **STOP**.

Settings on service level II

Functions C'M'A'B' ④ ⑤

Depending on the configuration of your system, the menu item PIN II/CMAB allows you to switch on or off certain functions.

1. Invoke the PIN II menu and enter the PIN.
2. Set the desired value by pressing the plus and minus buttons of the corresponding letter.
3. Save the settings by pressing START, press STOP to leave the menu.

C (Channel) is deactivated if only external channel selection with exactly one channel is available as audio system for the unit. The channel-selection symbol is not displayed.

M (Music) is deactivated if there is no audio system available. No symbols regarding the audio system are displayed.

A (Air-conditioning unit) is not displayed if the tanning system is not equipped with an air-conditioning unit. No symbols regarding air-conditioning are displayed.

B (Facial tanners) You can switch the facial tanners on or off here.

Air-conditioning functions ④

The menu item PIN II/ACS includes three submenus for the control of the air-conditioning system:

PRESETTING AIR-CONDITIONING UNIT (AIRCON)

Use the menu item AIRCON to specify if the air-conditioning unit should start automatically at the beginning of the tanning session (ON) or if it must be activated manually by the studio customer (OFF).

1. Invoke the PIN II menu and enter the PIN.
2. Press START to invoke the menu item ACS.
3. Select AIRCON by pressing 5 (plus button) or 0 (minus button).
4. Activate the function by pressing 4 (plus button) or deactivate it by pressing 9 (minus button).

5. Use the START button to save the settings and press STOP to exit the menu.

INCREASING THE FAN SPEED (OFFSET)

The menu item OFFSET is used to define whether the fan should operate at a higher speed. An OFFSET of 00-99% can be set in steps of 10 %. This measure may become necessary in the case of poor venting. Note that such modifications must only be carried out by service staff!

1. Invoke the PIN II menu and enter the PIN.
2. Press START to invoke the menu item ACS.
3. Select OFFSET by pressing 5 (plus button) or 0 (minus button).
4. Press 4 (plus button) to increase the value or 9 (minus button) to decrease the value.
5. Save the settings by pressing START and exit the menu by pressing the STOP button.

INCREASING THE FAN SPEED (A.START)

A.START is used to specify the fan speed at the beginning of the tanning session. Values between 20 and 99% can be set. The value can also be changed manually during the tanning session.

1. Invoke the PIN II menu and enter the PIN.
2. Press START to go to the menu item ACS.
3. Select A.START by pressing 5 (plus button) or 0 (minus button).
4. Press 4 (plus button) to increase the value or 9 (minus button) to decrease the value.
5. Press the START button to save the settings and STOP to exit the menu.

Setting the operating hours of the tubes ④

Go to the menu item PIN II/CM if you want to enter the operating hours of the tubes.

1. Invoke the PIN II menu and enter the PIN.
2. Press START to invoke RÖHRENSTUNDEN EINSTELLEN (SET OPERATING HOURS OF TUBES).
3. Enter the desired value by pressing 5 (plus button) and 0 (minus button).
4. Save the settings by pressing START and exit the menu using the STOP button.

Download information ④

The menu items PIN II/La.Download and PIN II/fi.Download indicate time and date of the latest (La.Download) or of the first (fi.Download) software download.

1. Invoke the PIN II menu and enter the PIN.
2. Select La.Download or fi.Download by pressing 5 (plus button) or 0 (minus button).
3. Press the START button to display the corresponding information.

Settings aquaCool (on/off) ④

The menu item PIN II/AQ is used to activate the aquaCool function (top mark) or to deactivate it (bottom mark). If the function has been deactivated, the aquaCool symbol is not displayed, and the studio customer cannot activate aquaCool.

1. Invoke the PIN II menu and enter the PIN.
2. Select AQ using 5 (plus button) or 0 (minus button).
3. Activate the function by pressing 4 (plus button) and deactivate it by pressing 9 (minus button).
4. Save the settings by pressing START and exit the menu by pressing the STOP button.

Aroma/Aqua test ④

AROMA / AQUACOOOL TEST CYCLE

Under the menu item PIN II/TEST you can start the AROMATEST and the AQUATEST.

1. Invoke the PIN II menu and enter the PIN.
2. Press 5 (plus button) or 0 (minus button) to select TEST.

3. Press the START button to invoke the submenu and 5 (plus button) or 0 (minus button) to select AROMATEST or AQUATEST.
4. Press START to activate the test cycle.

AQUACOOOL ENDURANCE TEST

Under the menu item PIN II/TEST/AQUA EXTR. you can determine whether an aquaCool endurance test is to be started with the subsequent tanning session. This test has a cycle time of 5 minutes and covers the whole of the tanning time.

1. Invoke the PIN II menu and enter the PIN.
2. Press 5 (plus button) or 0 (minus button) to select TEST.
3. Press the START button to invoke the submenu and 5 (plus button) or 0 (minus button) to select AQUA EXTR.
4. Select AQUA EXTR. ON by pressing 4 (plus button) or AQUA EXTR. OFF by pressing 9 (minus button).

Querying software info ④

Select the menu item PIN II/VERSION to display the name and number of the installed software version. This information is also displayed for approx. 2 seconds after the unit has been switched on.

1. Invoke the PIN II menu and enter the PIN.
2. Press 5 (plus button) or 0 (minus button) to select VERSION.
3. Press START to display the version information.

Setting the easyCare unit ④

The menu items concerning easyCare are only displayed if the tanning system is equipped with an easyCare unit. For information other than the menu setting, please refer to the easyCare manual.

DEFAULT SESSION TIME EASYCARE

The session time set here is used whenever easyCare is activated without allowing for making settings via the easyCare display itself (T.Display = OFF).

1. Invoke the PIN II menu.
2. Press 5 (plus button) or 0 (minus button) to select `easyCare`.
3. Open the submenu by pressing START and then select `EC.TIME` using 5 (plus button) or 0 (minus button).
4. Enter a duration of time between 8 and 20 minutes.
5. Press START to save the settings and STOP to exit the menu.

DISPLAY ERYTHEMA-EFFECTIVE IRRADIANCE

This value is given for information only.

1. Invoke the PIN II menu.
2. Press 5 (plus button) or 0 (minus button) to select `easyCare`.
3. Press START to open the submenu and select `Ee-rLi` (bed) or `EerDe` (canopy) using 5 (plus button) or 0 (minus button).
4. Exit the menu by pressing STOP.

TANNING CONTROL ONLY VIA EASYCARE

You can determine whether `easyCare` can be deactivated or not.

1. Invoke the PIN II menu.
2. Select `easyCare` by pressing 5 (plus button) or 0 (minus button).
3. Press the START button to open the submenu and select `EConly` using 5 (plus button) or 0 (minus button).
4. Select the desired setting by pressing 4 (plus button) or 9 (minus button). ON=`easyCare` cannot be deactivated, OFF=`easyCare` can be deactivated.
5. Press START to save the settings and leave the menu by pressing STOP.

SESSION TIME AT EASYCARE UNIT POSSIBLE

Here you can determine whether it will be possible to set the session time via the `easyCare` display.

1. Invoke the PIN II menu.
2. Select `easyCare` by pressing 5 (plus button) or

0 (minus button).

3. Press START to open the submenu and select `T.Display` by pressing 5 (plus button) or 0 (minus button).
4. Select the desired setting by pressing 4 (plus button) or 9 (minus button). ON=setting via display possible, OFF=setting via display impossible.
5. Save the settings by pressing START and exit the menu via STOP.

SENSOR TEST

The sensor test is carried out to check whether the sensor is functional.

1. Invoke the PIN II menu.
2. Select `easyCare` by pressing 5 (plus button) or 0 (minus button).
3. Press START to go to the submenu and select `TEST` by pressing 5 (plus button) or 0 (minus button).
4. Press the sensor onto the skin in order to start the test.
5. Press STOP to leave the menu.

RELAY TEST

The relay test is used to test the functionality of any possible combination of power levels of tubes and sunlamps. In order to be able to carry out this test, there must be an incoming timer signal.

1. Invoke the PIN II menu.
2. Select `easyCare` by pressing 5 (plus button) or 0 (minus button).
3. Open the submenu by pressing START and select `EC-REL. TEST` using 5 (plus button) or 0 (minus button).
4. Press 1 (minus button) to start the test.
5. Press the STOP button to exit the menu.

Entering PIN III ④

If you enter your PIN III here, you will access the next service level. Level III is exclusively reserved for trained service staff!

Maintenance and cleaning

Regular maintenance is required for the safe operation of the tanning unit and must be documented. Cleaning must be performed when necessary.

	⚠ DANGER
	<p>Live parts</p> <p>Risk of fatal injury due to electric shock when touching live parts.</p> <ul style="list-style-type: none"> • Disconnect from mains and secure against reconnection!

Instructions for cleaning and care

GENERAL

- Before starting to clean the unit, take off any rings, bracelets, watches, etc. that you might be wearing in order to avoid scratching the surfaces.
- Cleaning fluid must not run into the appliance.

TUBES

- To preserve the tanning power, we recommend cleaning the tubes and UV lamps with warm water and a chamois after approx. 200 hours of operation.

ACRYLIC PANES, GRAB HANDLES AND DOOR HANDLES

- If possible, use the special cleaning and disinfectant agent “megaClean” supplied by KBL for cleaning the acrylic parts and handles, and dilute it in water at a ratio of 1:13.

VARNISHED AND PLASTIC PARTS

- Use a damp soapy cloth to clean the varnished and plastic surfaces.
- Do not clean the large plastic parts with a dry cloth. This might scratch the surfaces!

CHROMIUM-PLATED PARTS/MIRROR PLATE OF FLOOR

- Only clean with a damp chamois and a cleaning agent for acrylic plastic (antistatic). Apply the cleaning agent onto the chamois and not directly onto the mirror surface.

CLEANING AGENTS

- The surfaces and the acrylic panes must not be cleaned with concentrated disinfectants or solvents or other liquids that contain alcohol!

Maintenance intervals

Component/ wearing part	Cleaning/care	Replacement
Condensate tank	Check the filling level daily and empty, if necessary.	When necessary
Tubes and starters, inductive units	Tubes after approx. 200 operating hours	After 500 - 600 operating hours
Tubes and starters, CPI-equipped units	Tubes after approx. 200 operating hours	Tube operation: <ul style="list-style-type: none"> • Set level I: after 1200 operating hours • Set level II: after 1000 operating hours • Set level III: after 800 operating hours
Facial tanners	When necessary	After approx. 500 - 600 hours
Acrylic panes	When necessary	After approx. 3000 hours
aquaCool nozzles	When necessary	After approx. 1000 hours
Shoulder tanner	When necessary	After approx. 600 hours
Ropes of the canopy drive	Check and grease after 500 - 600 hours.	Replace all ropes after 3000 hours.
Air hoses	Check after 500 - 600 hours.	When necessary
Air-conditioning unit	Clean the heat exchangers after 500 - 600 hours and check the condensate pump.	When necessary

LOCKING THE CANOPY IN PLACE



To facilitate many maintenance and service procedures, the canopy can be locked in place (fixed) in its upper position. Turn the lever on the left-hand side to the left. When the canopy is then lifted, it will be locked in place. You can unblock it by turning the lever to the right. After the screws on the right-hand and left-hand side have been removed, the bed pane can be attached to the canopy.

Acrylic panes

CANOPY PANE AND SIDE PANE

The following table describes how to dismantle the acrylic panes.

	Procedure	Fig.
1	Lock the canopy in place.	
2	Remove the screws and fold the canopy pane and / or the side pane down.	40.1 40.2
3	If necessary, the pane can be removed from the hinge profile when it is in its lowest position.	
4	The assembly is carried out in reverse order. Make sure that the frame is correctly positioned in the hinge profile.	
5	When closing the canopy pane, ensure that all air nozzles exactly match their counterparts. If not, carefully push the nozzles concerned in their correct positions.	
6	Unblock the canopy.	

Figure 40.1 Four screws of the canopy pane



Figure 40.2 Four screws of the side pane



BED PANE AND DUCTING PANE

Please refer to the following table for the cleaning of the bed pane and the ducting pane. The electronics unit underneath the bed must absolutely not get in contact with any liquid. Therefore, use a slightly damp microfibre cloth to clean the underside of the bed pane and the interior of the bed section. Also use this cloth to clean the shoulder tanner. Apply megaClean as cleaning agent (spray onto the cloth).

	Procedure	Fig.
1	Lock the canopy in place.	
2	Undo the two flat-head screws on the right-hand and left-hand side of the bed pane.	40.3
3	Fold the bed pane up and use the supplied hooks to attach it to the canopy.	40.4
4	Use a microfibre cloth and megaClean to clean the underside of the bed pane.	

5	If the bed section is equipped with a ducting pane, the latter can be removed for cleaning purposes. Carefully replace the ducting pane to ensure the proper cooling of the bed pane. As to the shoulder tanner, proceed in the same way.	
6	Clean the upper surface of the bed pane and fix it again using the two screws.	

Figure 40.3. Flat-head screw



Figure 40.4 Hooks for attachment of bed pane



Filter panes

SAFETY FUNCTIONS

The facial tanners are equipped with an additional safety feature. There is a protective pane-switch behind each of the filter panes; this switch will turn off the tanning lamp if the filter pane is missing or damaged.

Note: Never operate the tanning system with a defective filter pane. Carry out regular visual inspections! Only replace filter panes with ones of the same type. The filter panes must only be dismantled and installed by trained and qualified staff.

FILTER PANES IN THE CANOPY SECTION AND THE SIDE SECTION

After having dismantled the filter pane (see below), clean the filter pane with a commercially available cleaning agent and a soft cloth or chamois.

	Procedure	Fig.
1	Dismantle the acrylic pane of the canopy, or of the side part respectively.	
2	Undo the screw fixing the filter-pane cover (1), pull it towards the front (2) and remove it (3).	41.1
3	Use both hands to press the filter pane downwards carefully (4) until the pane is released from the upper retention clips (5). Then remove the pane in an upward movement towards the front (6).	41.2
4	After cleaning the assembly is carried out in reverse order.	

Figure 41.1: Removing the filter-pane cover

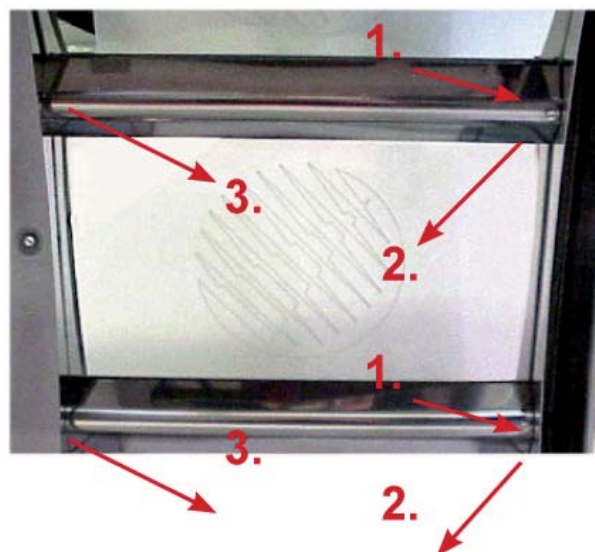
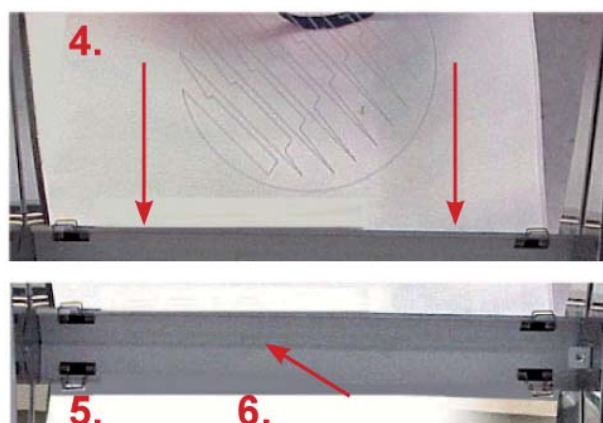


Figure 41.2: Taking the pane off the retention clips



MARKING OF THE FILTERS

The filters are marked "EVO 19100" on their edges.

Tubes, facial and shoulder tanners

DISMANTLING

Proceed as follows in order to be able to clean or replace tubes, facial tanners or shoulder tanners:

	Procedure	Fig.
1	Dismantle the canopy, bed and side panes.	40.1
		40.2
		40.3
2	Remove the tube covers in the facial and foot areas.	
3	For units equipped with tanning lamps, you must also remove the filter panes if you wish to replace the lamps.	41.1
		41.2
4	Remove the covers of the shoulder tanner.	44.1

CLEANING CYCLE

In order to preserve the tanning effect, we recommend cleaning the tubes and UV lamps with warm water and a chamois after approx. 200 hours of operation. Do not use any cleaning agents that are aggressive or contain alcohol.

REPLACEMENT CYCLE

Only replace tubes, facial tanners, shoulder tanners and starters with ones of the same type. When installing the tubes, make sure that the inscription is visible. In this position, the reflector of the tube is at the back. If your tanning unit is equipped with CPI, you must carry out a reset after each tube replacement. As far as inductive units are concerned, also replace the starters with each tube replacement. Reset the operating hours counter of the tubes after each replacement.



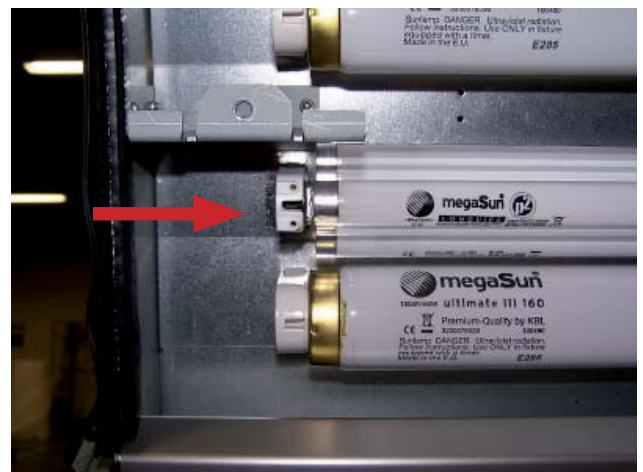
P2 tubes

The maintenance and cleaning frequency of the P2 tubes correspond to the intervals applicable for the standard tubes.

Figure 42.1: P2 tubes in the canopy



Figure 42.2: Detailed view (P2 tube)



REPLACING P2 TUBES

There are two P2 tubes installed in the canopy of the tanning unit (figures 42.1; 42.2; 43.1).

Proceed as described in the section “Tubes, facial tanners and shoulder tanners” to replace the P2 tubes.

When dismantling and installing the P2 tubes, pay attention to their centre retaining clamp (figure 43.2).

Figure 43.1: Position of the P2 tubes in the canopy

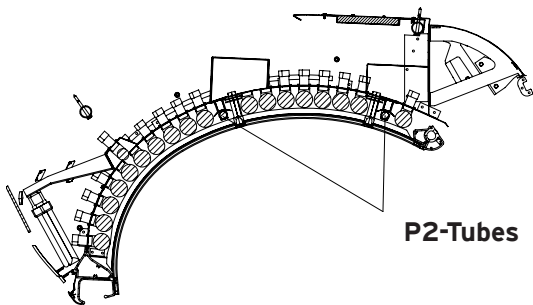


Figure 43.2: Centre retaining clamp of a P2 tube



	⚠ WARNING!
	<p>Danger of destruction!</p> <p>When installing/removing the P2 tubes, pay utmost attention to the centre retaining clamp.</p>

Replacing the sunlamps of the shoulder tanner

REPLACING THE SUNLAMPS

The sunlamps must be replaced after 600 hours of operation. Let the unit cool down before replacing the sunlamps. The tanning lamps must only be removed and installed by trained and qualified staff. The bed pane must remain folded down during dismantling and replacement.

Important: Do not operate the shoulder tanner without sunlamp unit.

	Procedure	Fig.
1	Undo the screw of the outer covering and lift off the outer covering upwards and towards the front.	44.1
2	Undo the screws of the chromium-plated covering and pull off the covering towards the front.	44.2
3	Disconnect the reflector from the electrical power supply by unplugging the connector from the ignition device at the place marked in the picture. Take out the reflector by pressing it downwards vertically and by turning it to the left while keeping it pressed. Make sure not to jam the socket.	44.3 44.4
4	Press one side of the clamp down in order to spread it apart, and then remove the sunlamp by holding the socket at the opposite side and by pulling in a diagonally upward movement. The light bulb and its base represent one single component.	44.5

	Procedure	Fig.
5	<p>When installing the new sunlamp, do not touch the glass with your bare hands. This would cause stains that burn in during operation. If you have happened to touch the glass bulb, though, clean it carefully using an agent that contains alcohol.</p> <p>Press the clamp down on one side, take the new light bulb and insert it so that it exactly fits the recess in the lamp holder. Then press the lamp base down on the opposite side until it locks in place. Connect the plug to the ignition device.</p>	45.1
6	<p>When installing the reflector, the large side of the stainless-steel ring must point towards the centreline of the shoulder tanner. Insert the reflector as shown in figure 45.2, push it down and turn it to the right while keeping it pressed. Make sure not to jam the socket.</p>	45.2
7	<p>Insert the chromium-plated covering into the slots of the housing of the shoulder tanner, press it on and fix it with screws. Place the reflector correctly under the chromium-plated covering. Press on the reflector slightly in order to align it.</p>	45.3
8	<p>Attach the outer covering vertically and fasten with screws.</p>	

Figure 44.1: Undoing the screw of the outer covering



Figure 44.2 Undoing the screws of the chromium-plated covering



Figure 44.3: Disconnecting the reflectors from the power supply at the respective ignition device

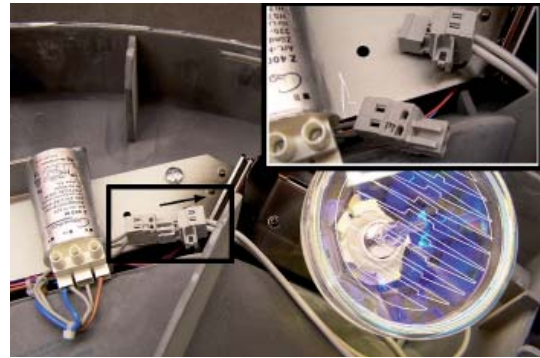


Figure 44.4: Unscrewing the reflector



Figure 44.5: Spreading the clamp apart and removing the sunlamp including its base

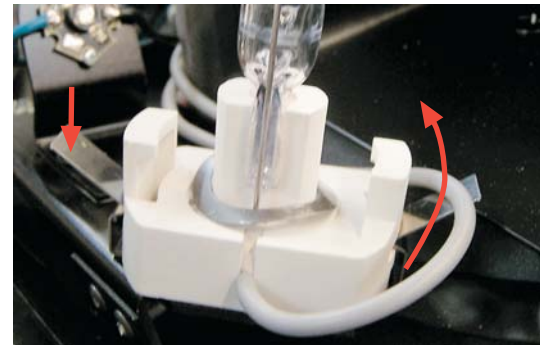


Figure 45.1: Inserting the new sunlamp so that it fits precisely



Figure 45.2: Inserting the reflector

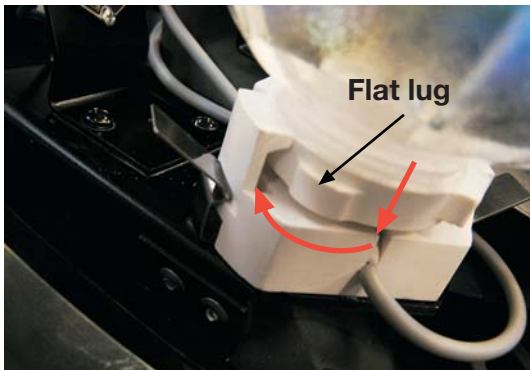
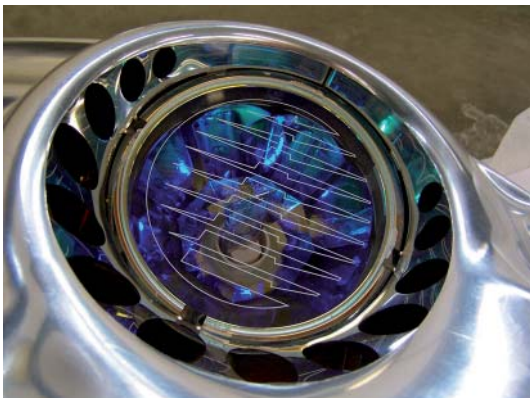


Figure 45.3: Reflector correctly positioned under the chromium-plated covering



Dismantling the tanning lamps

Tanning lamps must only be installed and removed by trained and qualified staff.

	Procedure	Fig.
1	Remove the filter panes.	
2	Push the light bulb slightly aside and then pull it out.	45.4 45.5
3	Proceed in reverse order for installation.	

Never touch a new tanning lamp with your bare hands. If necessary, clean the light bulb using an agent containing alcohol.

Figure 45.4: Pushing the light bulb aside

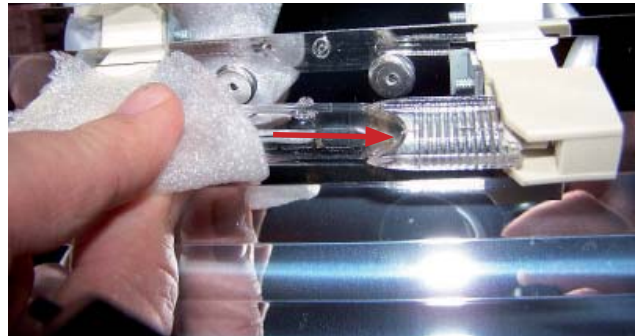


Figure 45.5: Pull out the light bulb towards the front



INSTALLING THE TANNING LAMPS

Dirt and bad seating can result in damage to the light bulbs and the sockets during operation. Make sure that the contact surfaces on both the lamp holder and the light bulb are clean when you insert the lamps. Insert the tanning lamps straight into their holders. After the installation, the small glass pin in the middle of the light bulb must point towards the reflector.

Unit lighting

COLOURED FILTER

The coloured filter has to be replaced at the latest when replacing the tanning tubes.

REPLACING THE LIGHTING SYSTEM IN THE CANOPY

Both in the canopy and in the lateral section, there is a coloured lighting tube installed behind the tanning tubes. (see Table).

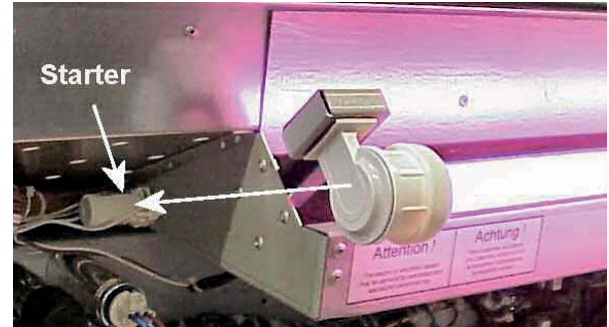
	Procedure	Fig.
1	Canopy: Open the canopy pane and tilt it downwards.	40.1 40.2
2	Remove the tanning tubes 5 and 6. Now you can replace the tube.	
3	Re-install the tanning tubes and close the canopy.	
4	Lateral pane: Open the lateral pane and remove the two upper tanning tubes. Now you can replace the tube.	
5	Re-install the tanning tubes and close the lateral pane.	

REPLACING THE UNIT LIGHTING IN THE LOWER FRONT SECTION

The tube in the lower front section is located in a protective conduit, which has been screwed onto the tube sockets. Take the opportunity to check the filter mat and to clean or replace it if necessary..

	Procedure	Fig.
1	Undo the two screws of the base pane and tilt the pane upwards.	
2	Unscrew the protective conduit on both sides and push it to the right (or to the left). Now you can replace the tube.	
3	Close the base pane.	

Figure 46.1 Unit lighting in the lower front section and the starter for this tube on the left side.



CANOPY LIGHTING

Below the canopy casing you will find two energy saving lamps and a dual ballast. To replace the lamps touch it at the lamp socket.

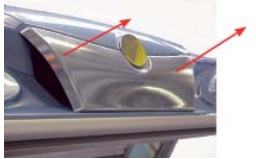
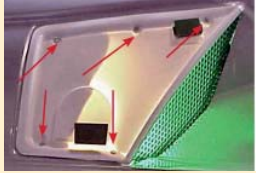

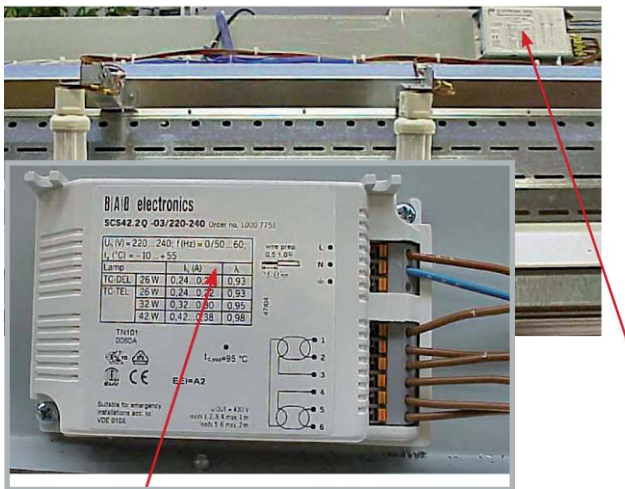
	Procedure	Fig.
1	Remove the chromium-plated front cover.	
2	Unscrew the next cover (5 screws).	
3	Remove carefully the lamp downwards.	
4	If it is necessary you can change the reflector now.	
5	Insert the new reflector and the new lamp. Mount the covers.	

Figure 47.1 Energy saving lamps in the canopy and its ballast



Filter pads

CLEANING CYCLE

The cooling air is sucked in via two dust filters. Depending on the location, clean the filter pads after approx. 100 hour of operation, or replace them, if necessary. Only use original filter pads for replacement in order to ensure a troublefree operation. Take the opportunity to check if the heat exchangers inside the air-conditioning unit are soiled. Dirty heat exchangers substantially reduce the performance of the air-conditioning unit. Vacuum-clean them if necessary.

FILTER PAD IN THE CANOPY SECTION

You can easily replace the filter pad installed on the rear side of the canopy.

Figure 47.2: Filter pad in the canopy



FILTER PAD IN THE BASE SECTION

The filter pad is located behind the decorative lighting in the base section. Open the bed pane and remove the fluorescent tube to get access to the filter pad.

Figure 47.3: Filter pad in the base section



Canopy drive

REGULAR MAINTENANCE

In order to ensure a troublefree operation of the drive, carry out the maintenance of the ropes after each tube replacement (see table below, item 1).

TENSIONING THE SPRINGS

As soon as the canopy of the tanning system does not remain safely in its upper position any more, the two springs must be tensioned. To do so, a ratchet spanner with hexagon socket (10 mm width across flats) is required.

	Procedure	Fig.
1	Check the spring ropes for wear. Should individual rope wires have spliced, always replace both ropes.	
2	Remove the side pane.	
3	There are tensioning screws on the right-hand and left-hand side.	47.4 47.5
4	Tension both springs equally.	
5	Check the canopy drive: the canopy stops in all positions.	
6	Close the side pane again.	

Figure 47.4:
Tensioning spring on
the left-hand side

Figure 47.5:
Tensioning spring on
the right-hand side



Cooling and exhaust air

COOLING PRINCIPLE

The following pictures illustrate the cooling of the tanning unit.

The body fan blows ambient air (systems without air-conditioning unit) or cooled air mixed with ambient air (systems equipped with air-conditioning unit) through ten air nozzles into the tanning space of the solarium (blue).

The upper filter cleans the air for the cooling of the tubes and sunlamps in the canopy section. The filter installed in the front cleans the cooling air for the base section (tubes). The fan sucks in the warm air and discharges it via the exhaust air duct (red).

Figure 48.1: Body cooling (blue) and cooling of the tanning unit (green), filter pads (orange) and heated exhaust air (red)

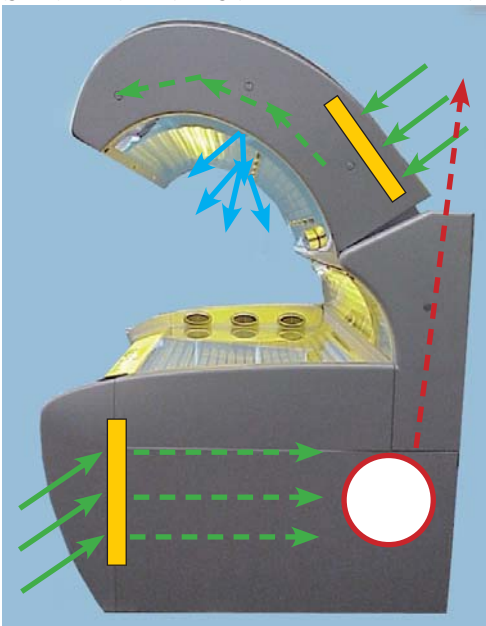


Figure 48.2: Exhaust air fan (assembly picture)

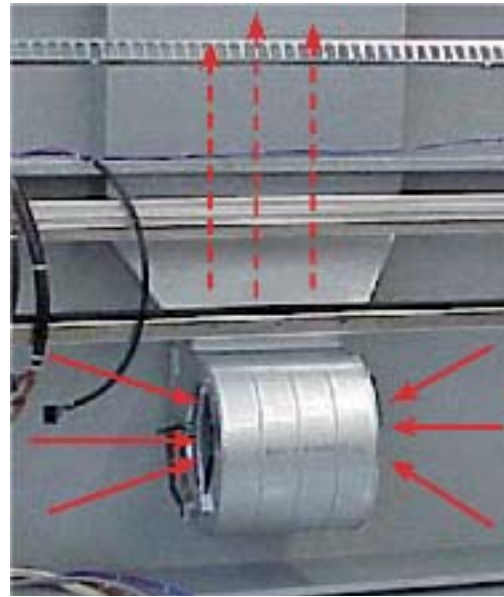
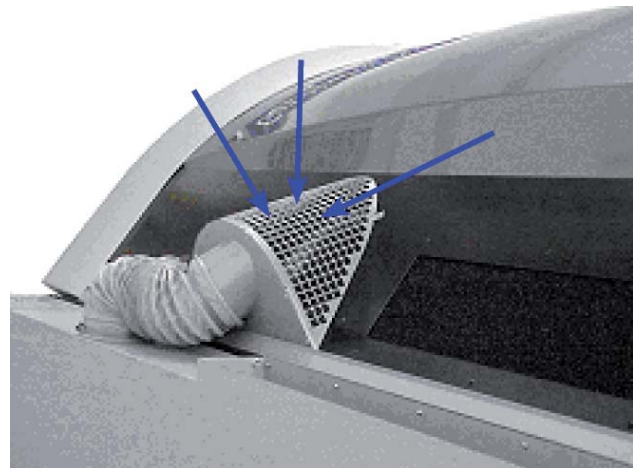


Figure 48.3: Cold air for the canopy (assembly picture)



Figure 48.4: Ambient air for the canopy



COOLING THE BED PANE

If an air-conditioning unit (optional feature) has been installed, both the bed pane and the canopy are cooled.

The ambient air is sucked in through the filter, cooled in the air-conditioner and guided through an air hose into the space between ducting pane and bed pane. In the foot area, this air - mixed with booth air - is blown into the tanning space of the sunbed.

Figure 49.1: Principle of the bed cooling



MAINTENANCE OF THE EXHAUST AND AIR-CONDITIONING UNIT

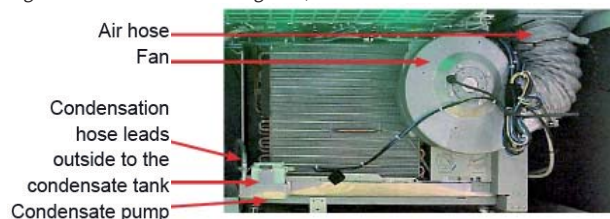
A clean and troublefree exhaust-air unit prevents the sunbed from overheating. The maximum exhaust-air hose length of 6 m must not be exceeded unless there is an auxiliary fan installed.

	Procedure	Fig.
1	Open the lower cover at the front and check the following items regularly:	
2	The air hose at the air-conditioning unit must not be kinked.	
3	The filter pads in the bed section and in the canopy must be clean.	
4	Check the exhaust-air hose for kinks and damages; also test the function of the auxiliary fan in the case of excess hose lengths.	
5	Sufficient airing and ventilation of the tanning studio must be ensured.	

	Procedure	Fig.
6	Check the correct positioning of the ducting pane in order to ensure the proper cooling of the bed pane.	

Air-conditioning unit

Figure 49.2: Air-conditioning unit, installed



Check the heat exchangers of the air-conditioning unit for dirt accumulation with each tube replacement. Soiled heat exchangers reduce the performance of the air-conditioner. Open the front cover and vacuum-clean the heat exchangers, if necessary. Check the air hose each time you change tubes. If it is defective, replace it immediately.

Condensate pump

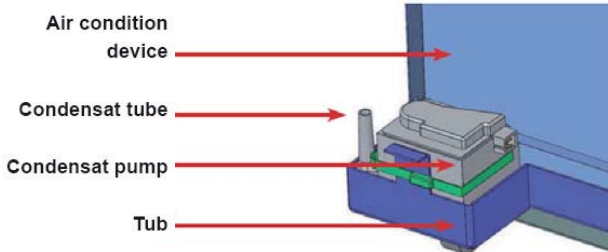
The condensate pump is controlled by the processor in such a way that it is switched on every 5 minutes for 20 seconds during a tanning session. After the session, the pump continues operating.

MAINTENANCE

Always check the proper functioning of the condensate pump when you replace tubes. To do so, start the tanning program. Open the front cover and slowly pour water into the condensate tray. The water must be pumped off. The unit must remain connected to the power supply after the tanning session in order to enable the run-on of the pump. The condensate hose must be guided into the tank without any kinks and up to a level that does not exceed the installation level by more than 25 cm.

Regular and scrupulous maintenance of the unit helps preserve both reliability and a stable value of the sunbed over a long period of time.

Figure 50.1: Condensate pump



Audio system with mp3 sound box

The assembly underneath the bed pane (head area) comprises the following components:

- megaVoice, the acoustic user guide,
- mp3 sound box for the “Music” option, and
- I2C audio switch

The audio switch is used for I2C bus adaptation, for connecting an external audio signal with volume control and the connections to the MP3 players. The memory card for the mp3 sound box can be exchanged after the bed pane has been opened (see figure on next page).

Figure 50.2: Installation underneath the bed pane



Figure 50.3: With SD audio card



Figure 50.4: SD card ; push to disengage, then pull out.

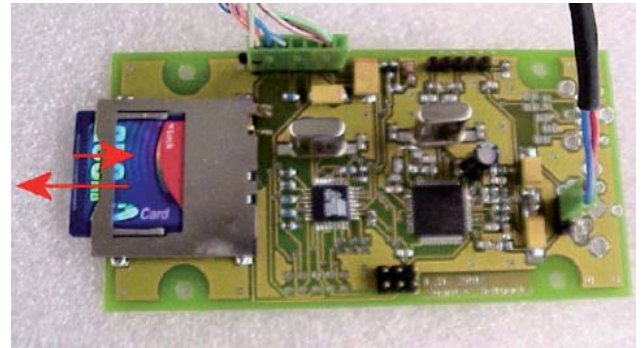
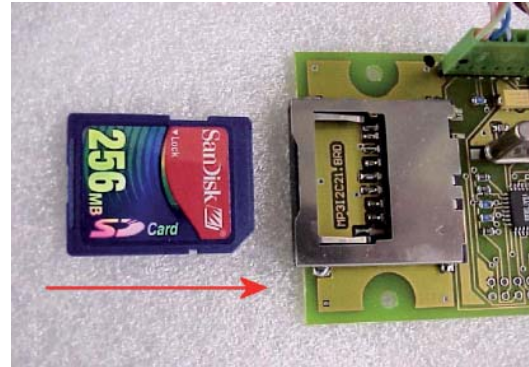


Figure 50.5: SD card; slide in till it engages




Recording to an SD card

Please refer to the chapter “Technical data” for information on supported card sizes as well as file-system and MP3 formats.

Using the SD Writer software (download from <http://www.kbl-support.de/software/software.html>), you can add or delete audio files to the SD card for music at your convenience. These tracks are played after the corresponding source has been selected. The number of files is limited by the storage capacity of the SD card.

1. Insert the card into the computer.
2. Activate SD Writer and copy files onto the card.
3. Insert the card into the MP3 player.
4. Restart the device. To do so, pull out the main plug and plug it in again. In this way, you make sure that the MP3 player will identify the SD card.

	⚠ WARNING!
	<p>The SD card must only be formatted using FAT16!</p> <p>Do not modify any files other than those of the Music MP3-Player!</p>

Refilling Aroma and aquaCool

The tin containing the Aroma gel and the water canister are located in the base section between the air-conditioning unit (left-hand side) and the electronics unit (right-hand side).

REPLACING THE AROMA GEL

	Procedure	Fig.
1	Open the lower front cover.	
2	Pull the aquaCool / Aroma assembly towards the front.	
3	Unlatch the retaining bracket of the lid of the Aroma tin. Then you can replace the tin.	51.1

	Procedure	Fig.
4	Push the assembly back to its original location within the tanning unit.	
5	Acknowledge the message on service level I by invoking the display shown below and by pressing the button 1.	




Figure 51.1 Latch of the Aroma tin



REPLACING THE AQUACOOL CANISTER

	Procedure	Fig.
1	Open the lower front cover.	
2	Pull the aquaCool / Aroma assembly towards the front.	
3	Unscrew the lid with the hose from the canister.	52.1
4	Keep the hose end including the lid in a clean plastic bag while replacing the canister.	
5	Replace the canister and fasten the lid.	
5	Push the assembly back to its original location within the tanning unit.	

Figure 52.1 Hose connection on aquaCool canister



Do not use anything except “aquaCool” supplied by KBL. Otherwise there is a risk of clogged nozzles and infections!

Replacing the aquaCool nozzles

After 1,000 hours of operation, the aquaCool nozzles must be replaced in order to ensure that the aquaCool system functions properly. The assembly instructions are included with your spare parts delivery.

Error messages

Faults „Bus Error“, „Bus Relais Error“, „Hardware Error“ and “Aqua low” do not occur with the KBL/5 processor due to its equipment and processor structure.

Status message KBL/4	Status message KBL/5	Status description	Remedy
Abluft (Exhaust air)	Abluft (Exhaust air)	Bi-metal switch triggers.	Check the air-intake/air-discharge system and the fan. Let the tanning system cool down and acknowledge the message by pressing the START button. If the fault persists, contact your Customer Service.
Maximum tanning time!	max. time	Incoming enabling signal from coin-box system longer than approved, i.e. the value specified under “Maximum tanning time” (voltage remains connected).	Disconnect the device from the coin-box system.
Aqua low	-	The content of the aquaCool canister is sufficient for another 750 spraying seconds (2.5 operating hours at a cycle time = 1 minute).	Replace the empty aquaCool canister with a full one. Do not replace aquaCool with any other liquid. If the canister is not empty, replace the liquid-level sensor (contact your Customer Service).
Aqua 0%	-	750 spraying seconds (2.5 operating hours at a cycle time = 1 minute) have expired.	Replace the empty aquaCool canister with a full one. Do not replace aquaCool with any other liquid. If the canister is not empty, replace the liquid-level sensor (contact your Customer Service).
Hardware error	-	Main board defective.	Replace the main board (contact your Customer Service).
Bus Relais Error	-	AquaCool Relay board defective.	Replace the AquaCool Relay board (contact your Customer Service).
E05:BUS:REL	-	I ² C bus faulty.	Contact your Customer Service.
E04:BUS:VOICE	-	Communication between control and Voice-MP3 Player has been interrupted.	1. Check the „Voice“ SD Card. 2. Contact your Customer Service.
E02:BUS:TMP	-	I ² C Temperature sensor is faulty or disturbed.	Contact your Customer Service.

Service

For all service-related questions, please contact your responsible specialist dealer.

Technical data

Ambient conditions	
Installation site	In dry rooms (booths) with sufficient airing and ventilation <ul style="list-style-type: none"> • Relative air humidity: ≤ 70 % • Room temperature: ≤ 30 °C • Minimum height of the room: 1880 mm
Electrical connection values	
Protective class	IP 20
Mains voltage	400V / ~3N / 50Hz
Wire cross section	5 x 4mm ² Ölflex
Dimensions in mm (Height x width x depth)	1480 x 2360 x 1260 (when closed) 1800 x 2360 x 1260 (when open)
Weight	670 kg (with air conditioning)
MP3-Player	<ul style="list-style-type: none"> • Supports SD cards up to 1 GB • Supported file system (SD card): FAT16 • Supported MP3 files: constant and variable bit rate, 96-320 Kbit/s
Fuses	Automatic fuse K-type (safety cut-out), 3-pole, (3x20A -> 5600 Super) (3x25A -> 5600 SP & UP) with residual current-operated circuit breaker (RCD)
Air discharge	
Fan	Exhaust-air socket Ø 300 -- 1600 mm (top) Minimum capacity (exhaust air): 2250 m ³ /h
Exhaust-air hose	Ø 300

Unit data megaSun 5600 Super		
	Inductive	CPI
Tubes	LEVEL 1 ACCORDING TO SCCP 0,3W/M ² Canopy: 18x MS Ultimate III 100 (1806 R 100W) 2x MS P2 1854 R 80W Longlife Side: 6x MS Ultimate III 100 (1806 R 100W) Bed: 18x MS Ultimate III 100 (1806 R 100W)	LEVEL 1 ACCORDING TO SCCP 0,3W/M ² Canopy: 18x MS Ultimate III 100 cpi energy (1820 R 100W) 2x MS P2 1854 R 80W Longlife Side: 6x MS Ultimate III 100 cpi energy (1820 R 100W) Bed: 18x MS Ultimate III 100 cpi energy (1820 R 100W)
	LEVEL 2 Canopy: 18x MS Super R 100W (1820 R 100W) 2x MS P2 1854 R 80W Longlife Side: 6x MS Super R 100W (1820 R 100W) Bed: 18x MS Super R 100W (1820 R 100W)	LEVEL 2 Canopy: 18x MS UP R100 Longlife pwr. b CPI (1851 R 100W) 2x MS P2 1854 R 80W Longlife Side: 6x MS UP R100 Longlife pwr. b CPI (1851 R 100W) Bed: 18x MS UP R100 Longlife pwr. b CPI (1851 R 100W)
	LEVEL 3 Canopy: 18x MS Super R 100W (1820 R 100W) 2x MS P2 1854 R 80W Longlife Side: 6x MS Super R 100W (1820 R 100W) Bed: 18x MS Super R 100W (1820 R 100W)	LEVEL 3 Canopy: 18x MS UP R100 Longlife pwr. b CPI (1851 R 100W) 2x MS P2 1854 R 80W Longlife Side: 6x MS UP R100 Longlife pwr. b CPI (1851 R 100W) Bed: 18x MS UP R100 Longlife pwr. b CPI (1851 R 100W)
Face tanner	4x MS600	4x MS600
Shoulder tanner	2x MS250	2x MS250
Nominal power	With air conditioning: 10110W -- without air conditioning: 8850W	
Unit data 5600 Super Power		
	Inductive	CPI
Tubes	LEVEL 1 ACCORDING TO SCCP 0,3W/M ² Canopy: 18x MS Ultimate III 160 (1808 R 160W) 2x MS P2 1854 R 80W Longlife Side: 6x MS Ultimate III 160 (1808 R 160W) Bed: 18x MS Ultimate III 100 (1806 R 100W)	LEVEL 1 ACCORDING TO SCCP 0,3W/M ² Canopy: 18x MS Ultimate III 160 cpi energy (1825 R 160W) 2x MS P2 1854 R 80W Longlife Side: 6x MS Ultimate III 160 cpi energy (1825 R 160W) Bed: 18x MS Ultimate III 100 cpi energy (1820 R 100W)
	LEVEL 2 Canopy: 18x MS Super R 160W (1825 R 160W) 2x MS P2 1854 R 80W Longlife Side: 6x MS Super R 160W (1825 R 160W) Bed: 18x MS Super R 100W (1820 R 100W)	LEVEL 2 Canopy: 18x MS UP R160 Longlife pwr. b CPI (1852 R 160W) 2x MS P2 1854 R 80W Longlife Side: 6x MS UP R160 Longlife pwr. b CPI (1852 R 160W) Bed: 18x MS UP R100 Longlife pwr. b CPI (1851 R 100W)
	LEVEL 3 Canopy: 18x MS Super R 160W (1825 R 160W) 2x MS P2 1854 R 80W Longlife Side: 6x MS Super R 160W (1825 R 160W) Bed: 18x MS Super R 100W (1820 R 100W)	LEVEL 3 Canopy: 18x MS UP R160 Longlife pwr. b CPI (1852 R 160W) 2x MS P2 1854 R 80W Longlife Side: 6x MS UP R160 Longlife pwr. b CPI (1852 R 160W) Bed: 18x MS UP R100 Longlife pwr. b CPI (1851 R 100W)
Face tanner	4x MS600	4x MS600
Shoulder tanner	2x MS250	2x MS250
Nominal power	With air conditioning: 12070W -- without air conditioning: 10810W	

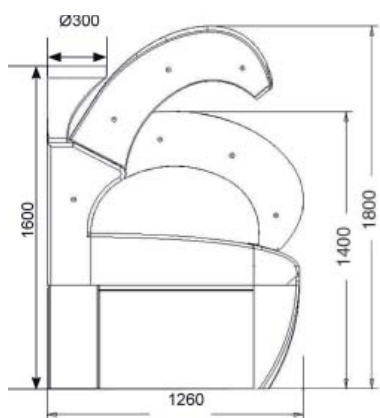
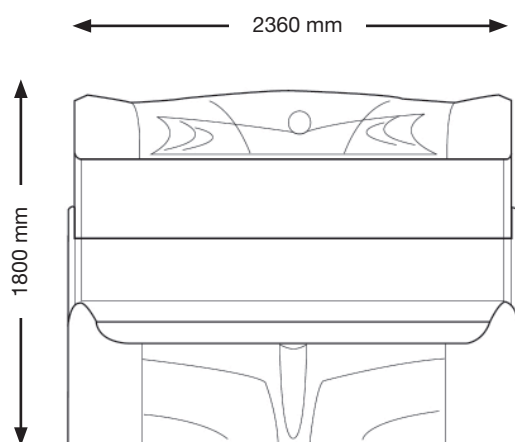
Unit data megaSun 5600 Ultra Power		
	Inductive	CPI
tubes	LEVEL 1 ACCORDING TO SCCP 0,3W/M ² Canopy: 18x MS Ultimate III 160 (1808 R 160W) 2x MS P2 1854 R 80W Longlife Side: 6x MS Ultimate III 160 (1808 R 160W) Bed: 18x MS Ultimate III 160 (1808 R 160W)	LEVEL 1 ACCORDING TO SCCP 0,3W/M ² Canopy: 18x MS Ultimate III 160 cpi energy (1825 R 160W) 2x MS P2 1854 R 80W Longlife Side: 6x MS Ultimate III 160 cpi energy (1825 R 160W) Bed: 18x MS Ultimate III 160 cpi energy (1825 R 160W)
	LEVEL 2 Canopy: 18x MS Super R 160W (1825 R 160W) 2x MS P2 1854 R 80W Longlife Side: 6x MS Super R 160W (1825 R 160W) Bed: 18x MS Super R 160W (1825 R 160W)	LEVEL 2 Canopy: 18x MS UP R160 Longlife pwr. b CPI (1852 R 160W) 2x MS P2 1854 R 80W Longlife Side: 6x MS UP R160 Longlife pwr. b CPI (1852 R 160W) Bed: 18x MS UP R160 Longlife pwr. b CPI (1852 R 160W)
	LEVEL 3 Canopy: 18x MS Super R 160W (1825 R 160W) 2x MS P2 1854 R 80W Longlife Side: 6x MS Super R 160W (1825 R 160W) Bed: 18x MS Super R 160W (1825 R 160W)	LEVEL 3 Canopy: 18x MS UP R160 Longlife pwr. b CPI (1852 R 160W) 2x MS P2 1854 R 80W Longlife Side: 6x MS UP R160 Longlife pwr. b CPI (1852 R 160W) Bed: 18x MS UP R160 Longlife pwr. b CPI (1852 R 160W)
Face tanner	4x MS600	4x MS600
Shoulder tanner	2x MS250	2x MS250
Nominal power	With air conditioning: 13150W -- without air conditioning: 11890W	

If your CPI tanning unit is equipped with the optionally available leg tanner, the tubes installed in the canopy and in the side part differ from those used in the standard model.

However, this does not concern the two P2 tubes in the canopy or the tubes in the bed section. The respective standard tube is installed in the base.

Unit data megaSun 5600 with Leg Tanner		
	Super Power	Ultra Power
tubes	LEVEL 2 & 3 Canopy: 18x Leg Tanner SP R 160 longlife (1833 R 160W) 2x MS P2 1854 R 80W Longlife Side: 6x Leg Tanner SP R 160 longlife (1833 R 160W) Bed: 18x MS UP R100 Longlife pwr. b CPI (1851 R 100W)	LEVEL 2 & 3 Canopy: 18x Leg Tanner SP R 160 longlife (1833 R 160W) 2x MS P2 1854 R 80W Longlife Side: 6x Leg Tanner SP R 160 longlife (1833 R 160W) Bed: 18x MS UP R160 Longlife pwr. b CPI (1852 R 160W)

Views



Remarks

megaSun[®]

by KBL

KBL-Solarien AG
Ringstrasse 24-26 · 56307 Dernbach · Germany
Telephone +49 (0) 26 89.94 26-0 · Fax +49 (0) 26 89.94
26-66
E-mail megaSun@kbl.de

www.megaSun.de